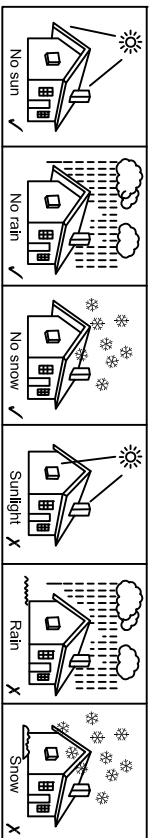
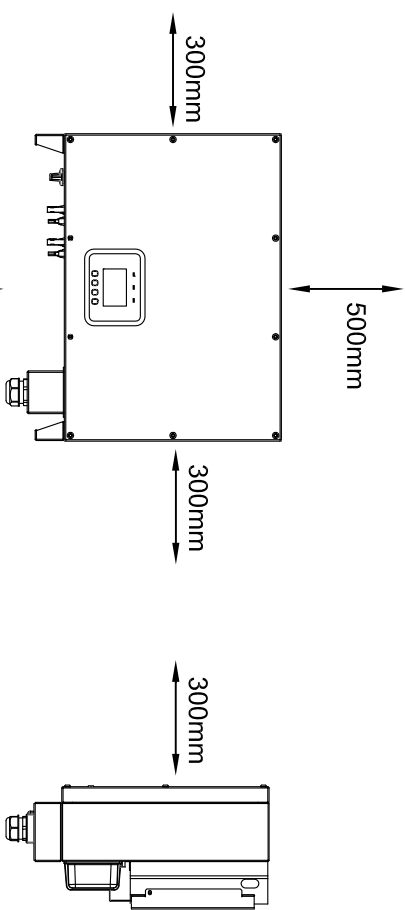


Quick Installation Manual

- When the ambient temperature is not higher than 45 °C, the inverter can achieve the best operating state.
- Installation height is preferably parallel to the line of sight for ease of operation and maintenance.
- Inverters should be installed away from flammable and explosive items and ensure that there is no strong electromagnetic interference equipment around them
- The parameters labels and warning signs of the inverter must be clearly visible after installation
- Avoid sun, rain and snow when installing inverters



step 1

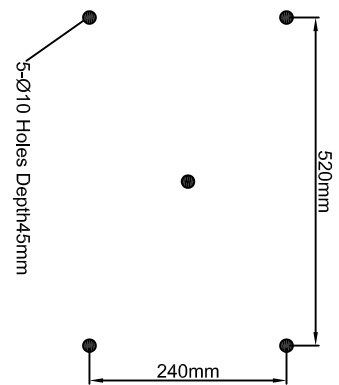


Installation spacing

above $\geq 500\text{mm}$
 below $\geq 500\text{mm}$
 the front $\geq 300\text{mm}$
 both sides $\geq 300\text{mm}$

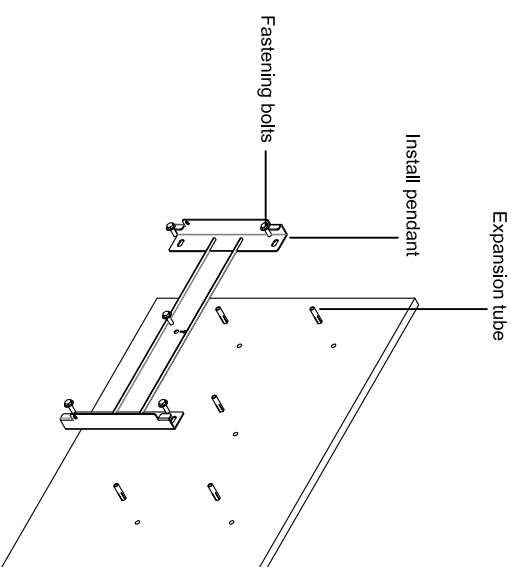
If the machine is installed indoors, it can greatly extend the service life of the machine.

step 2



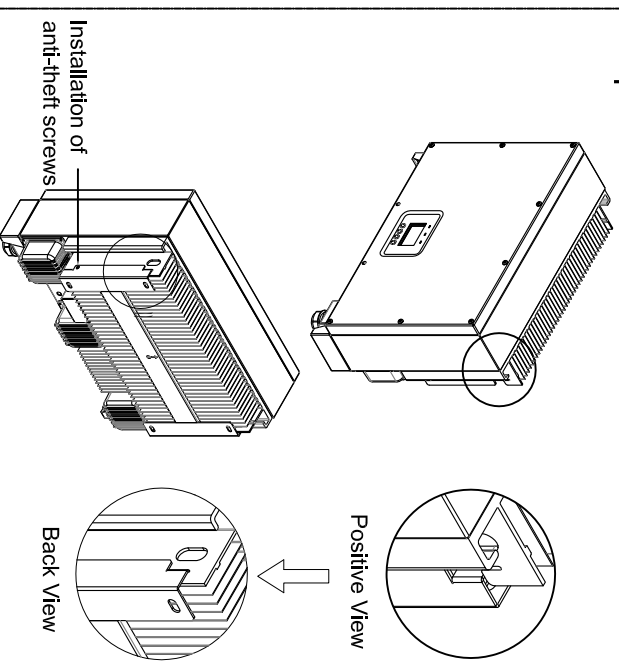
Size of borehole

step 3



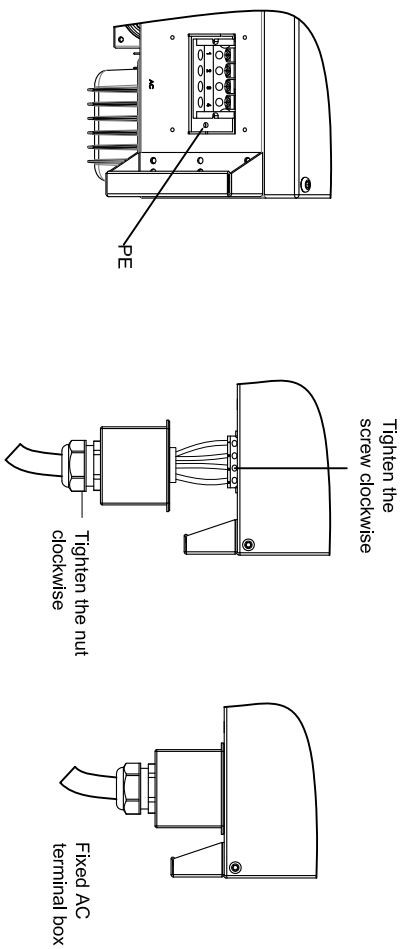
Hanging board installation

step 4



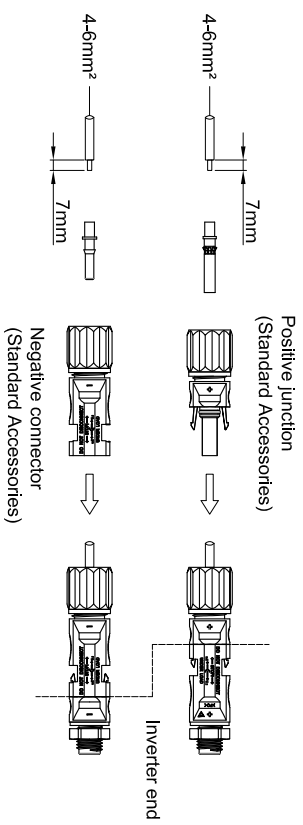
Machine Installation

step 5



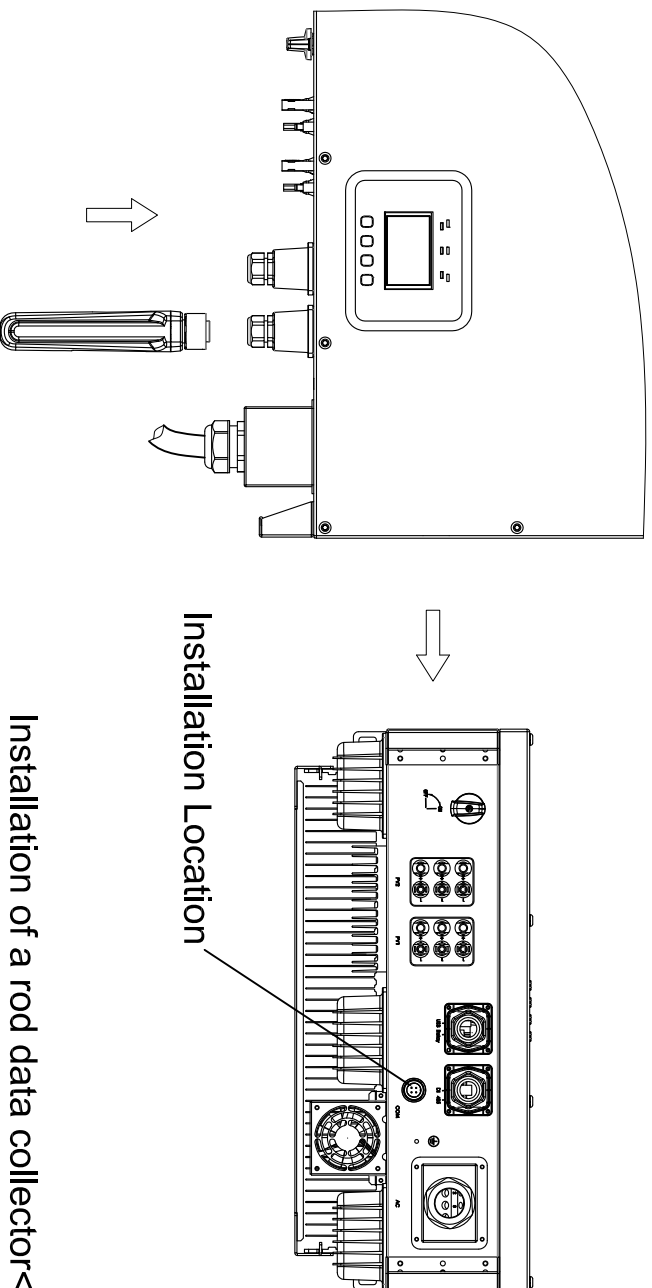
AC wiring and assembly

step 6



DC wiring and assembly

step 7



Installation of a rod data collector<Optional>