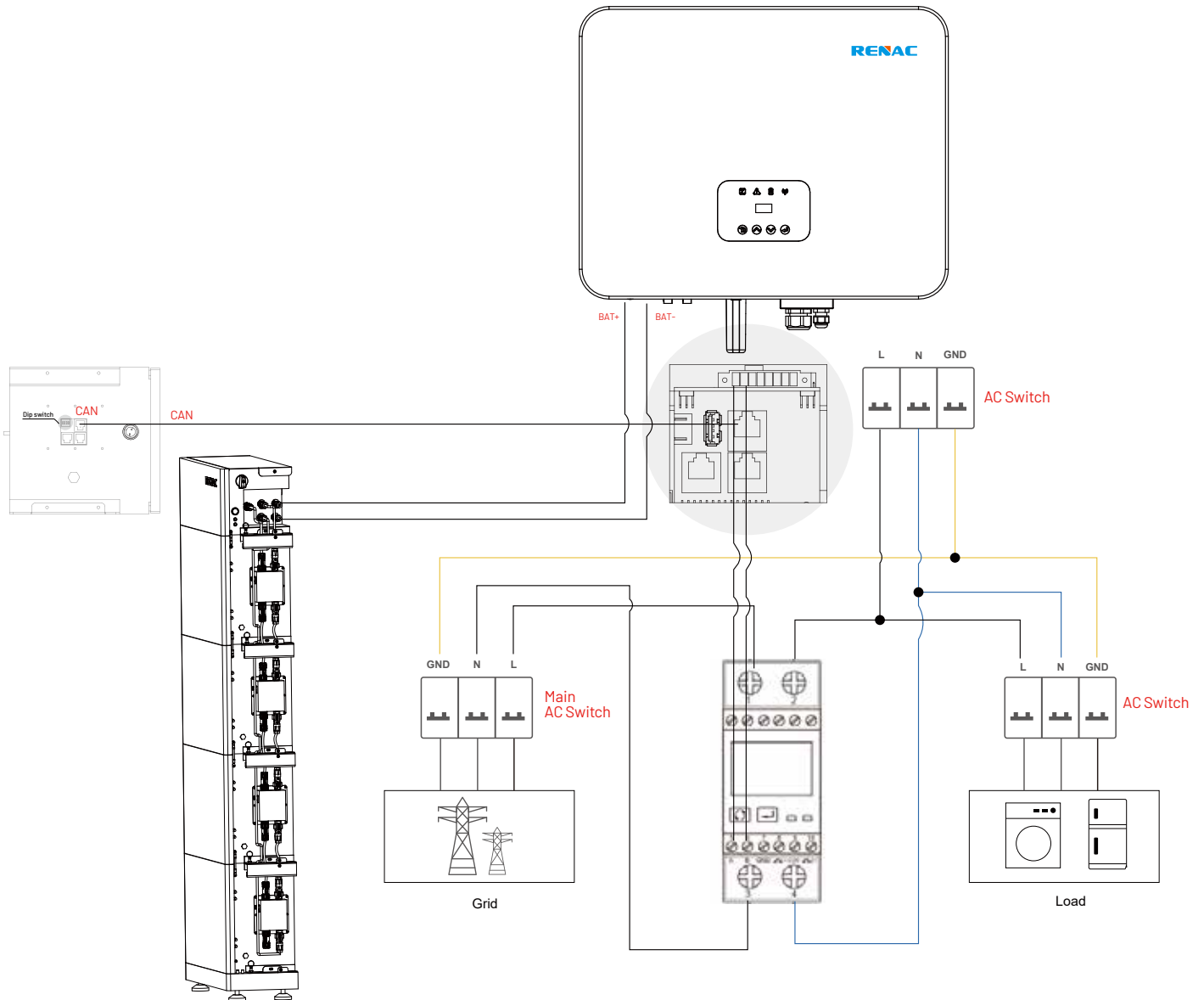


Application Note No. 011

# N1+H1+Smart Meter wiring diagram

## Version History

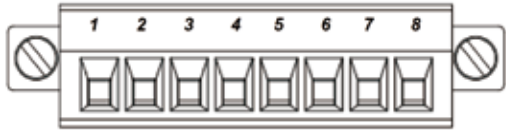
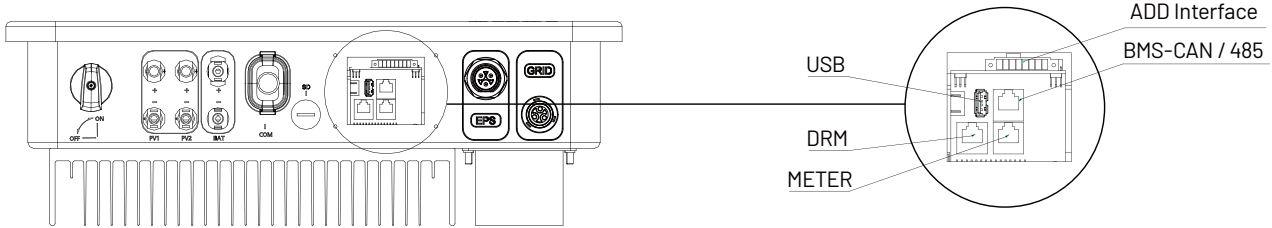
- Version 01 (2023-11-06)  
Initial Release



**⚠ DANGER**  
Before connecting cables, ensure that all switches are OFF. Otherwise electric shocks may occur.

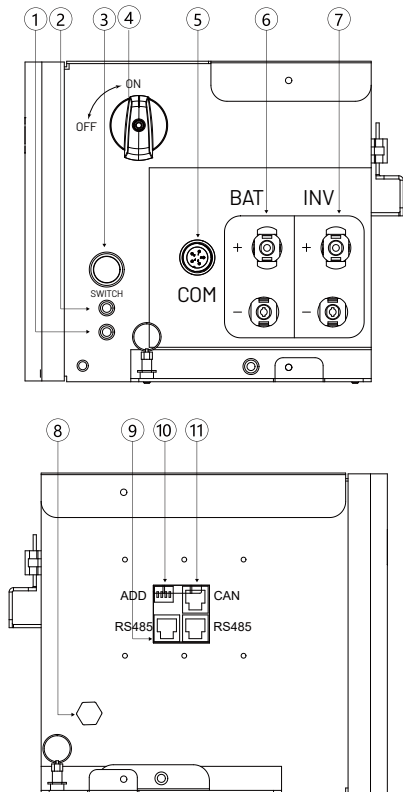
**NOTICE**  
Signal cables must be outdoor shielded twisted pair cables.

## N1 HV Inverter terminals

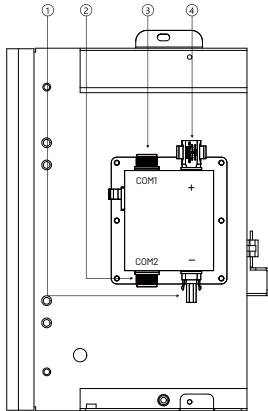


Pin	Function	Pin	Function
1	METER-485A	5	+5V
2	METER-485B	6	SHUTDOWN
3	GENA	7	Temp
4	GENB	8	GND

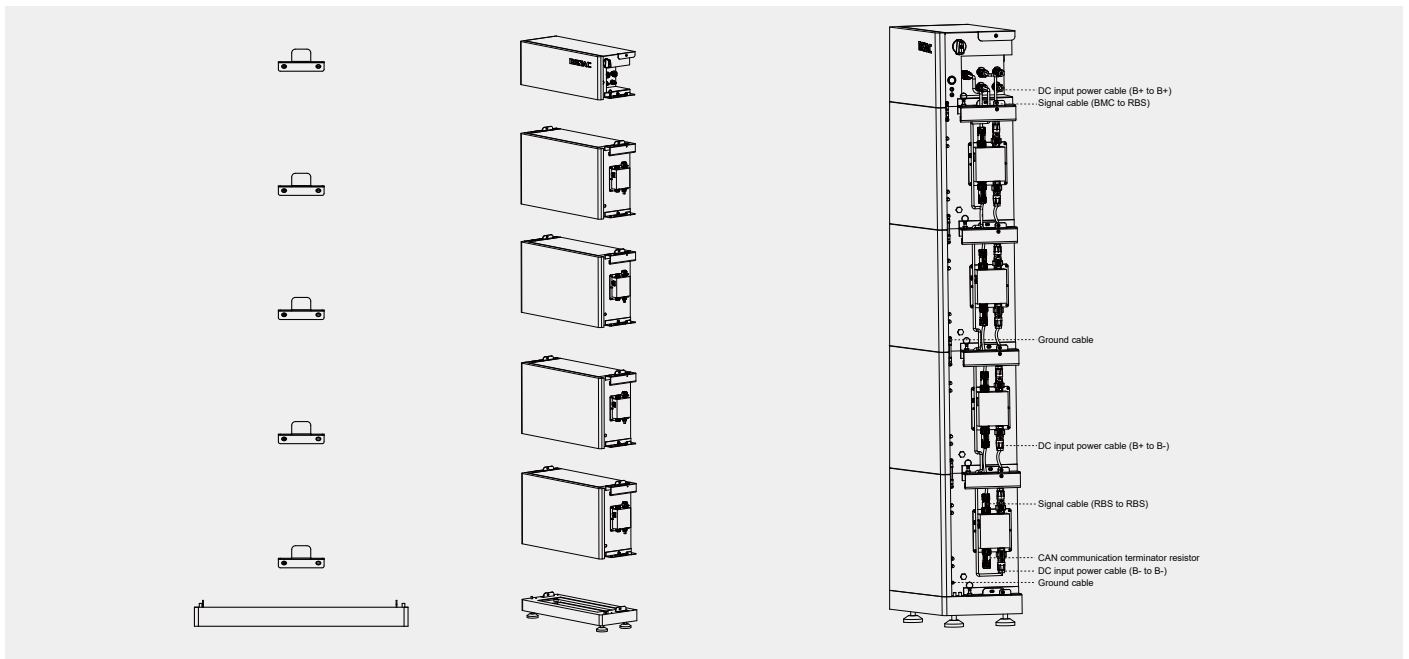
## Turbo H1 terminals



Object	Description
1	Alarm LED
2	Running LED
3	Start button
4	DC isolator
5	Communication port
6	Battery terminals connect with B9639-S (BAT+/BAT-)
7	Battery terminals connect with hybrid inverter (BAT+/BAT-)
8	Waterproof valve
9	RS485 port
10	Parallel communication Add
11	CAN port



Pin	Description
5	BAT- connector
6	CAN communication connector
7	CAN communication connector
8	BAT+ connector



## Dip switch description

- ADD switch is a 4-bit dial switch to manually distribute the communication address of battery clusters. 1-3 bit means the communication address of battery clusters, the status of 4th bit means if this BMC is the master or not. For the master, the communication address is largest and the fourth digit must be ON status.
- Please refer to the table below to set the ADD switch for parallel connection of different battery clusters.

	Master	Slave 1	Slave 2	Slave 3	Slave 4
1 battery cluster					
2 battery cluster					
3 battery cluster					
4 battery cluster					
5 battery cluster					