

RENAC

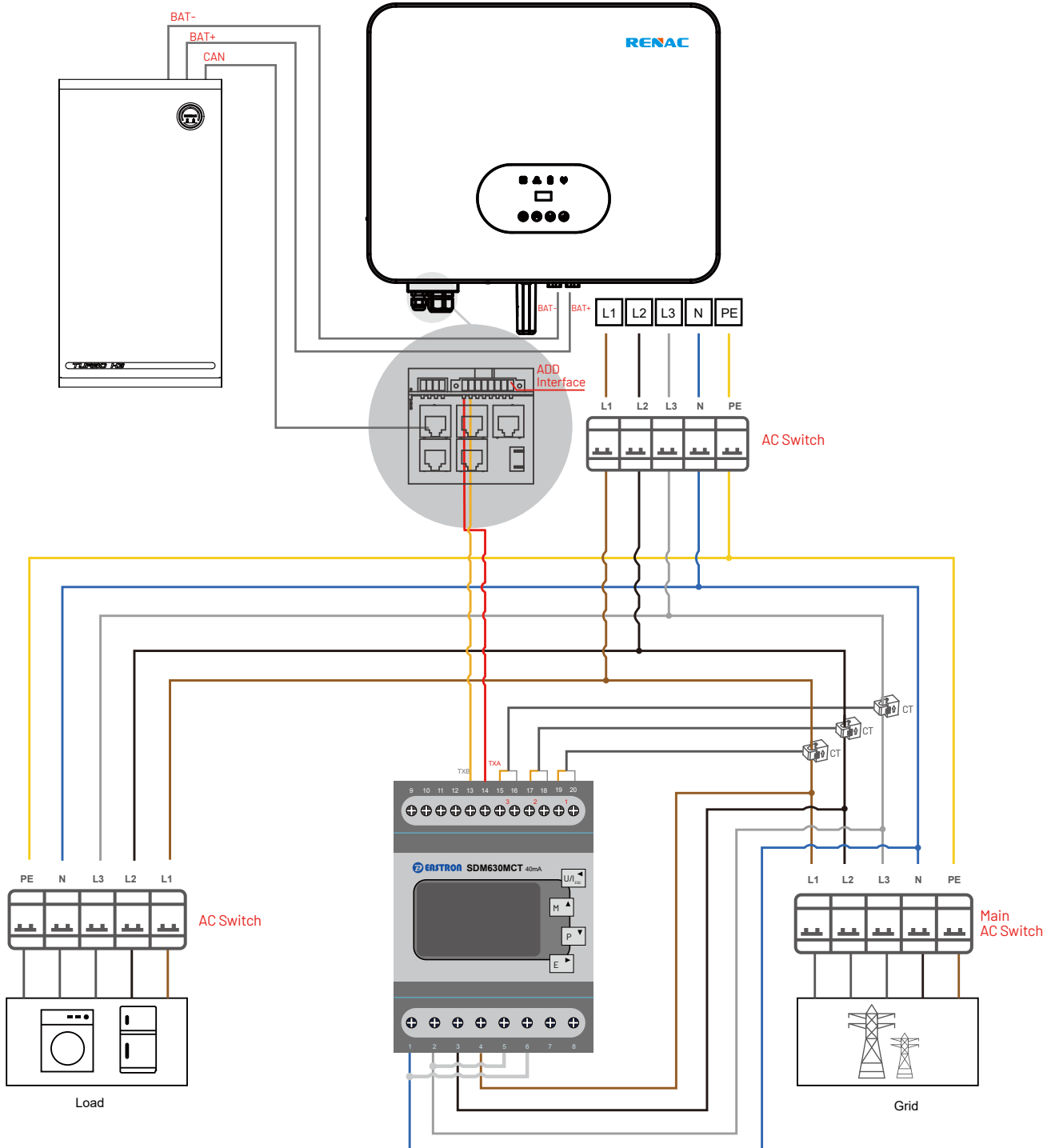
TECHNICAL SOLUTIONS

**N3+H3+Smart meter &
CT-Wiring Diagram**



2023

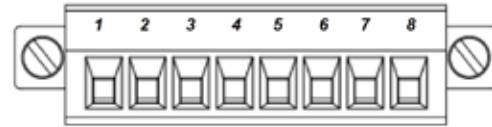
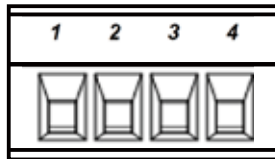
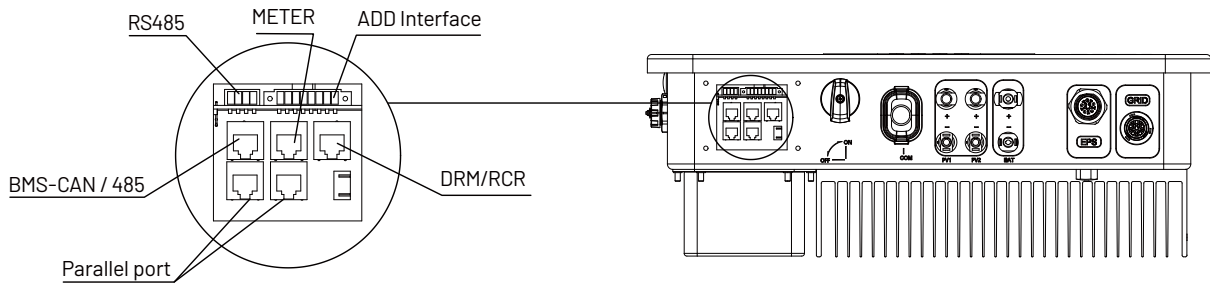
N3+H3+Smart Meter wiring diagram



⚠ DANGER
Before connecting cables, ensure that all switches are OFF. Otherwise electric shocks may occur.

NOTICE
Signal cables must be outdoor shielded twisted pair cables.

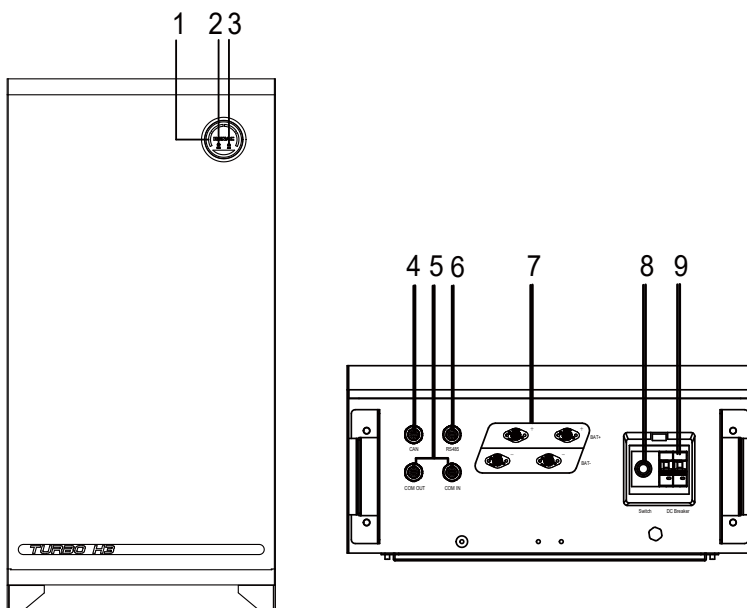
N3 HV Inverter terminals



Pin	Function
1	+5V
2	GND
3	485A
4	485B

Pin	Function
1	METER-485A
2	METER-485B
3	GENA
4	GENB
5	+5V
6	SHUTDOWN
7	Relay
8	GND

Turbo H3 terminals



Object	Description
1	Battery level indicator
2	RUN Indicator
3	ALM Indicator
4	CAN port
5	Parallel ports
6	RS485 port
7	Power terminals
8	Switch
9	DC Breaker