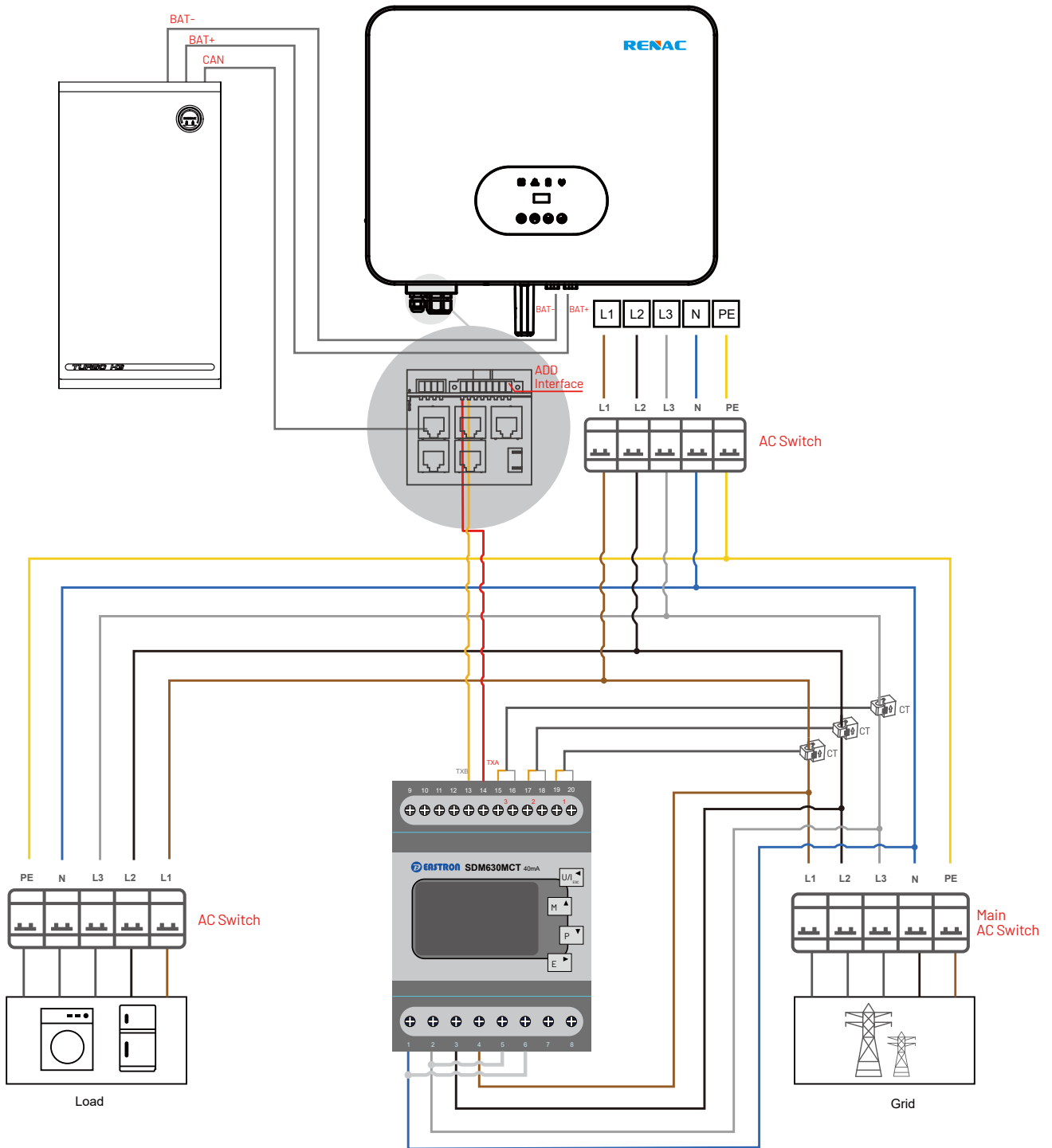


Application Note No. 012

N3+H3+Smart Meter wiring diagram

Version History

- Version 01 (2023-11-06)
Initial Release



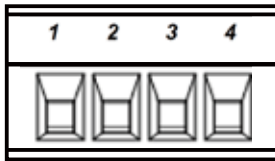
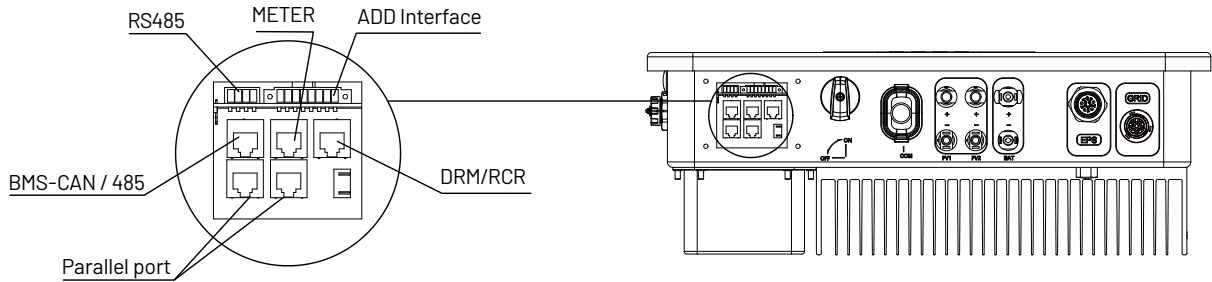
⚠ DANGER

Before connecting cables, ensure that all switches are OFF. Otherwise electric shocks may occur.

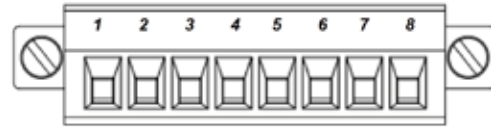
NOTICE

Signal cables must be outdoor shielded twisted pair cables.

N3 HV Inverter terminals

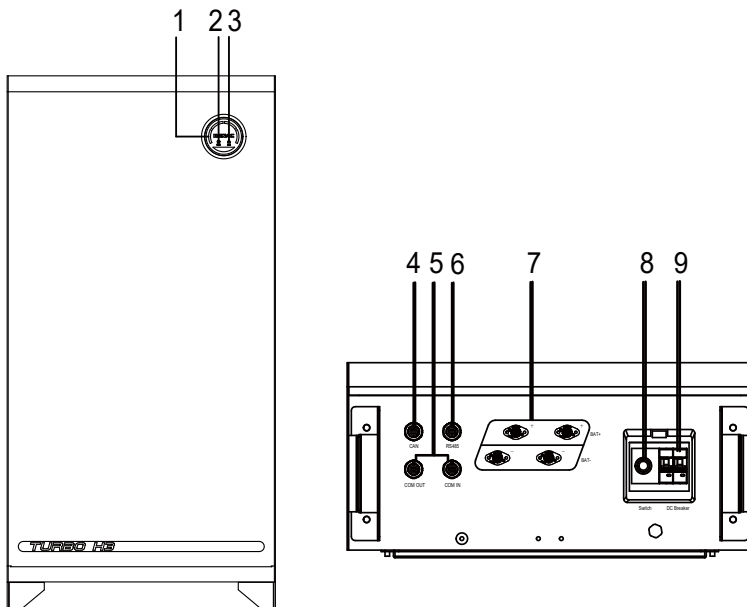


Pin	Function
1	+5V
2	GND
3	485A
4	485B



Pin	Function
1	METER-485A
2	METER-485B
3	GENA
4	GENB
5	+5V
6	SHUTDOWN
7	Relay
8	GND

Turbo H3 terminals



Object	Description
1	Battery level indicator
2	RUN Indicator
3	ALM Indicator
4	CAN port
5	Parallel ports
6	RS485 port
7	Power terminals
8	Switch
9	DC Breaker