

SMART ENERGY FOR BETTER LIFE



Add: Block 6, No.2, West Jinzhi Road, Suzhou National Hi-Tech District, Suzhou, China
Tel: +86-0512-66677278
info@renacpower.com
www.renacpower.com

R3 Note Series



User Manual

- R3-4K
- R3-5K
- R3-6K
- R3-8K
- R3-10K-A
- R3-10K
- R3-12K



Content

1. Introduction	2
1.1 Introduction	2
1.2 Applied designations	2
1.3 Important safety information	3
1.4 System sizing	3
2. Technical description of inverters	4
2.1 Mechanical design	4
2.2 Electrical system design	5
2.3 Technical data	5
2.4 Grid codes	7
3. Installation and startup	9
3.1 Package information	9
3.2 Installation environment	9
3.3 Installation position	10
3.4 Mounting procedure	11
3.5 Electrical connection	12
3.6 Starting the Inverter	19
4. User Interface	20
4.1 Led and key	20
4.2 LCD operation	21
4.3 Self-Test in accordance with CEI 0-21 (Applies to Italy only)	25
5. Warranty	26
5.1 Warranty claim procedure	26
5.2 Service after warranty expiration	26
Appendix A: FAQ (Frequently asked questions)	26
6. Maintenance	29
6.1 Routine Maintenance	29

1. Introduction

1.1 Introduction

This manual describes solar inverters :










R3-4K / R3-5K / R3-6K / R3-8K / R3-10K-A / R3-10K / R3-12K.

These inverters are transformerless based inverter.

Please read the safety instructions in this manual first. Throughout the manual it is assumed that the reader is familiar with AC and DC installations and knows the rules and regulations for electrical equipment and for connecting it to the utility AC grid. It is especially important to be familiar with the general safety rules for working with electrical equipment.


1.2 Applied designations

Throughout the manual important information is shown at different levels depending on the character of the information, as shown here:

	Safety information important for human safety. Violation of warnings may result in injury to persons or death.
	Danger of high voltage and electric shock!
	Signals danger due to electrical shock and indicates the time (5 minutes) to allow after the inverter has been turned off and disconnected to ensure safety in any installation operation.
	Danger of hot surface!
	Product should not be disposed as normal household waste.
	CE Mark
	ROHS Mark
	Information important for the protection of property. Violation of this type of information may cause damage and loss of property.
	Useful additional information or "Tips and Tricks" on specific subjects.

1.3 Important safety information

Read this before installing, operating or maintaining the inverter.



Before installation:

Check for damage to inverter and packaging. If you are in doubt, please contact your supplier before installing the inverter. Check the voltages of the solar modules and make sure they are within the limits of the inverter specifications before connecting them to the inverter.

Installation:

Only trained and authorized personnel familiar with local electrical codes may install the inverter. For optimum safety, please follow the steps described in this manual. Keep in mind that the inverter has two voltage carrying sides, the PV input and the AC grid.

Disconnecting the inverter:

Always disconnect the AC line first! Afterwards disconnect the PV lines. Note that the inverter can still be charged with very high voltages at hazardous levels even when it is disconnected from grid and solar modules. Wait at least 5 min. before proceeding, after having disconnected from grid and PV panels.

Operating the inverter:

Before connecting the AC grid to the inverter, make sure that the installation cover is mounted again. The inverter must not be open during operation.


Maintenance and modification:

Only authorized personnel are allowed to repair or modify the inverter. To ensure optimum safety for user and environment, only the original spare parts available from your supplier should be used.

Functional safety parameters:

Unauthorized changes of functional safety parameters may cause injury or accidents to people or inverter. Additionally it will lead to the cancelling of all inverter operating approval certificates.

1.4 System sizing



When dimensioning a photovoltaic system, it must be ensured that the open circuit voltage of the PV string never exceeds the maximum permissible input voltage of 1100V DC. The PV string open circuit voltage during parallel string operation is 1000V. Higher voltages may result in permanent damage to the inverter.



Protection	
DC Switch	Integrated
DC Insulation Monitoring	Integrated
Input Reverse Polarity Protection	Integrated
Anti-island Protection	Integrated
Residual Current Monitoring	Integrated
Over-heat Protection	Integrated
AC Overcurrent Protection	Integrated
AC Short-circuit Protection	Integrated
AC Overvoltage Protection	Integrated
Arc fault circuit interrupter (AFCI)	Optional
Potential induced degradation (PID) recovery function	Optional
DC Surge Protection	Integrated (Type II)
AC Surge Protection	Integrated (Type II)
General Data	
Size(Width*Height*Depth)	428*385*185mm
Weight	15kg
User Interface	LED + OLED
Communication	RS485 and USB(Standard), Wifi or 4G or Ethernet(Optional)
Ambient Temperature Range	-25 °C ~ 60 °C
Relative Humidity	0 ~ 100%
Operating Altitude	≤ 2000m
Standby Self Consumption	< 1W
Topology	Transformerless
Cooling	Natural Convection
Enclosure	IP65
Pollution Degree	III
Overvoltage Category	DC II / AC III
Protective class	I
Noise	< 35dB
Warranty	5 / 7 / 10 years
Certifications & Standards	
Grid Regulation	C10/11, PEA, MEA, G98, G99, EN50549, CEI 0-21, CEI 0-16, IEC61727, IEC62116, IEC60068, IEC61683
Safety Regulation	IEC 62109-1, IEC 62109-2
EMC	EN 61000-3-2, EN 61000-3-3, EN 61000-3-11, EN 61000-3-12, EN 61000-6-2, EN 61000-6-3, IEC 61000-4-16, IEC 61000-4-18, 4-29

2.4 Grid codes

No.	National/Regional Grid Code	Description
0	VDE4105-DE	Germany power Grid, meet Grid standards "VDE-AR-N-4105".
1	CEI0-21	Italy power Grid.
2	AS4777	Australia power Grid.
3	RD1699	Spain power Grid.
4	EN50549	Default EN50549 Grid setting.
5	EN50549-DK-W	West Denmark power Grid.
6	Greece	Greece power Grid.
7	EN50549-NL	Netherland power Grid, meet Grid standards "EN50438".
8	C10/11	Belgium power Grid.
9	G99	UK power Grid.
10	China	China power Grid, meet Grid standards "CN-NBT".
11	VDE0126-FR	France power Grid, meet Grid standards "VDE 0126".
12	EN50549-PL	Poland power Grid.
13	Brazil-180s	Brazil power Grid ,connect/reconnect time 180s
14	VDE0126-DE	Germany power Grid, meet Grid standards "VDE 0126".
15	CEI0-16	Italy power Grid, meet Grid standards "CEI 0-16".
16	G98	UK power Grid.
17	Greece Island	Greece Island power Grid.
18	EN50549-CZ	Czech Republic power Grid, meet Grid standards "EN50438Y2007-CZ".
19	IEC61727-IN	India power Grid.
20	Korea	Korea power Grid.
21	EN50549-SW	Sweden power Grid.
22	China-W	China power Grid, Grid voltage range: 160-290V
23	China-H	Grid frequency range: 47-53HZ.
24	IEC61727-IN-W	China power Grid, meet standards"CQC".
25	Brazil	India power Grid, meet Grid standards "IEC61727".

No.	National/Regional Grid Code	Description
26	IEC61727-SL	Sri Lanka power Grid, meet Grid standards "IEC61727".
27	Mexico	Mexico power Grid, meet Grid standards "IEC61727 60HZ".
28	NZ4777	New Zealand power Grid, meet Grid standards "NZ4777".
29	Philippines	Philippines power Grid, meet Grid standards "IEC61727 60HZ spec".
30	IEC61727-SL-W	Sri Lanka power Grid, Grid voltage range: 160-280V, Grid frequency range: 47-52HZ.
31	PEA	Thailand power Grid.
32	PEA-W	Thailand power Grid, Grid voltage range: 160-280V, Grid frequency range: 47-52HZ.
33	IEC61627-VN	Vietnam power Grid.
34	IEC61627-VN-W	Vietnam power Grid, Grid voltage range: 160-280V, Grid frequency range: 47-52HZ.
35	Tunisia	Tunisia
36	MEA	Thailand power Grid.
37	MEA-W	Thailand power Grid, Grid voltage range: 160-280V, Grid frequency range: 47-52HZ.
38	Brazil-LV	120V 60Hz voltage of grid L to N(R3-10-15K-LV only,others reserved
39	EN50549-DK-E	East Denmark power Grid
40	Tunisia-W	Tunisia wide range
41	Chile	Chile Power Grid
42	Brazil-W	Brazil power Grid , meet Grid standards "NBT 16150".
43	EN50549-PL-W	Poland power Grid.
44	Brazil-180s-W	Brazil power Grid , meet Grid standards "NBT 16150".
45	UNE217002-ES	Spain power Grid.
46	G98-NI	G98 for Northern Ireland
47	G99-NI	G99 for Northern Ireland
48	EN50549-NW	Norway-400VLine
49	EN50549-NW-LV	Norway-230VLine-R3-10-15K-LV only,others reserved
50	IEC61727-LV	133V 50Hz, low voltage power grid

3. Installation and startup

	<p>Warning!</p> <p>Before installation and maintenance, AC and DC side doesn't carry electricity, but if DC side is just disconnected, capacitance still contains electricity, so please wait for at least 5 minutes to ensure the capacitors completely release the energy and inverter is not electrified.</p>
	<p>Note!</p> <p>Inverters must be installed by qualified person.</p>

3.1 Package information

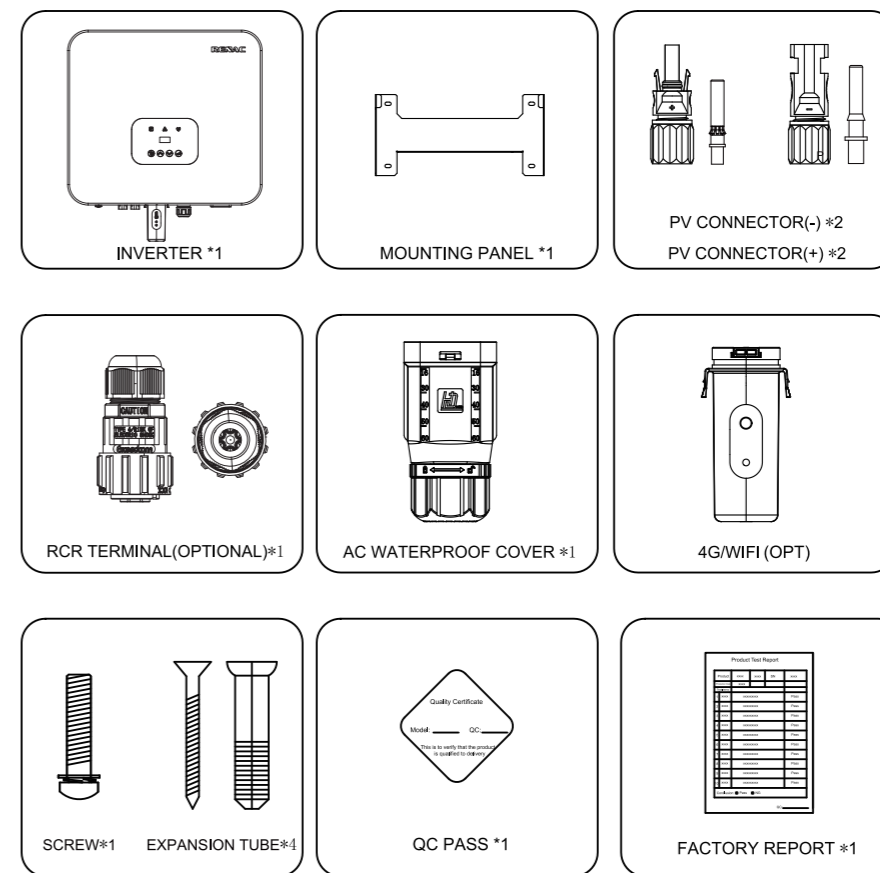


Figure 3-1 package information

3.2 Installation environment

- 1) In order to achieve optimal performance, the ambient temperature should be kept lower than 45 °C.
- 2) For the convenience of checking the LCD display and possible maintenance activities, please install the inverter at eye level.
- 3) Inverters should NOT be installed near inflammable or explosive items. Any strong electro-magnetic equipment should be kept away from installation site.
- 4) Product label and warning symbol shall be clear to read after installation.
- 5) Please do not install inverter under direct sunlight, rain and snow.

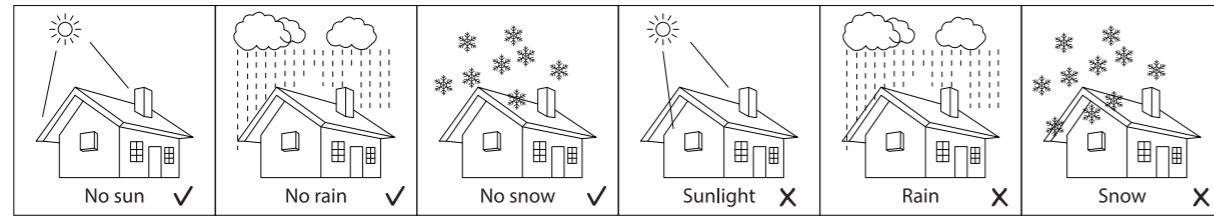


Figure 3-2 Installation environment

3.3 Installation position

- !**
- 1) The installation method and mounting location must be suitable for the inverter's weight and dimensions.
 - 2) Mount on a solid surface.
 - 3) Select a well-ventilated place sheltered from direct sun radiation.

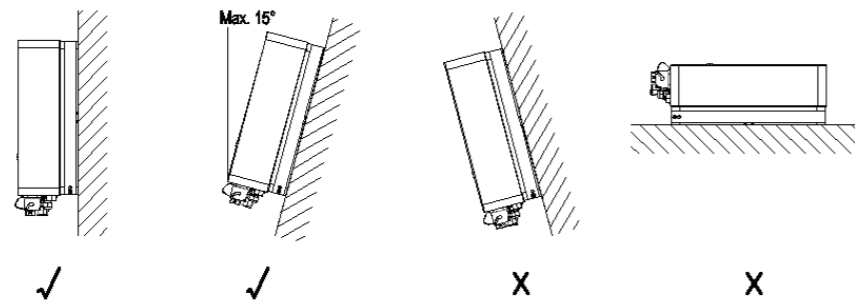


Figure 3-3 Installation position

In consideration of heat dissipation and convenient dismantlement, the minimum clearances around the inverter should be no less than the following value.

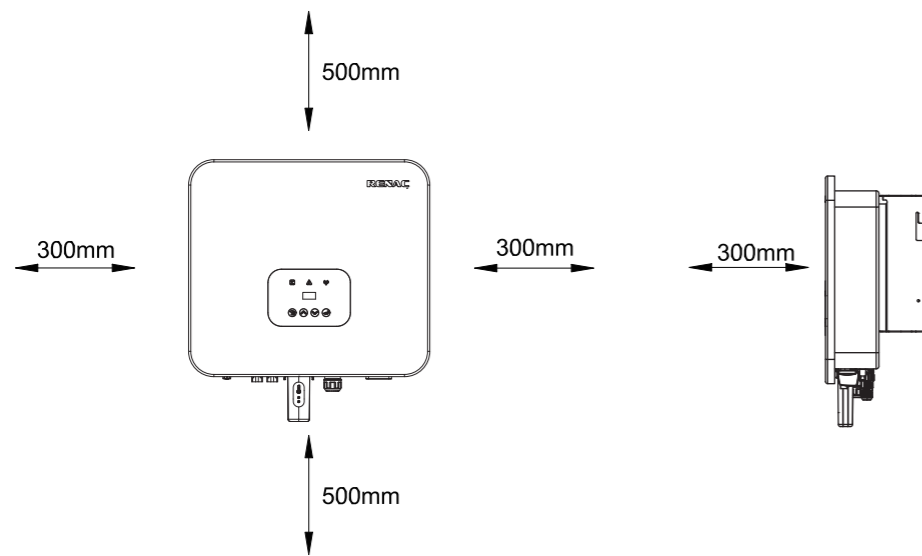


Figure 3-4 Distance required of Invertors

3.4 Mounting procedure

Step1: Drill 4 Fix Ø11 holes in the wall according to the dimensions.

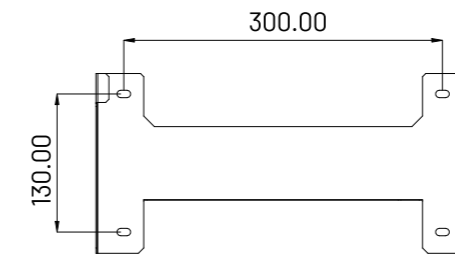


Figure 3-5

Step2: Fix the wall mounting bracket on the wall with 4 expansion bolts in accessory bag.

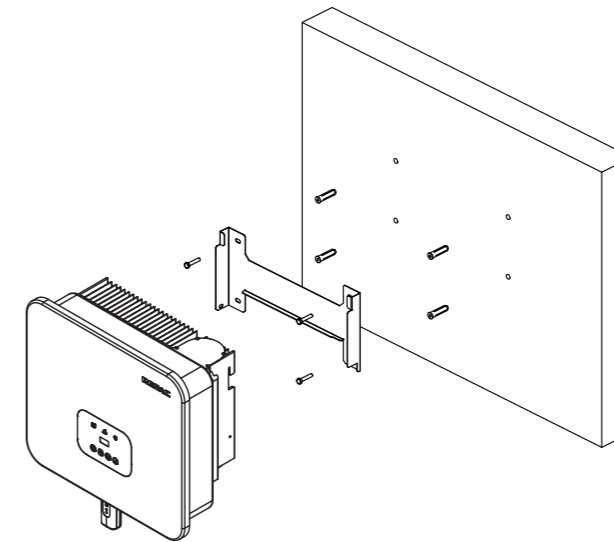


Figure 3-6

Step4: Place the inverter on the wall-mounted bracket and install the fix screw.

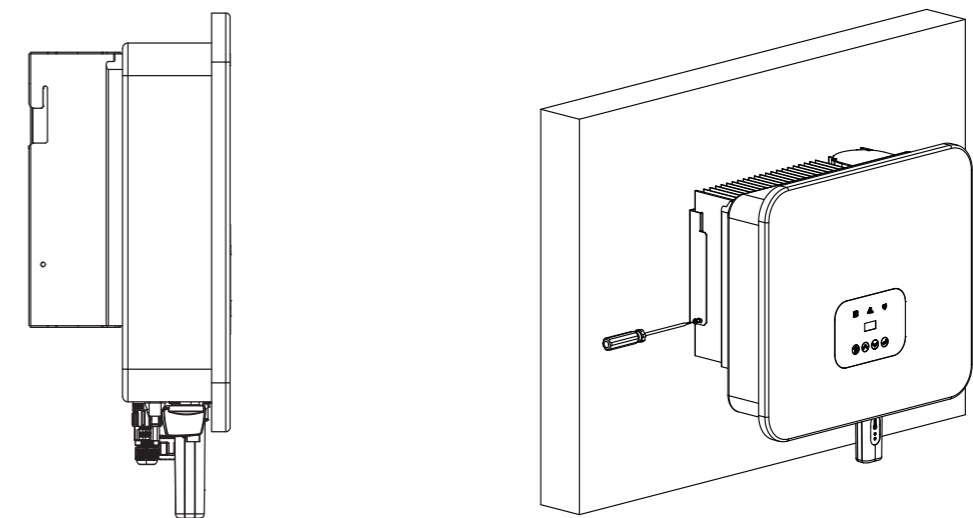


Figure 3-7 Mounting the inverter

3.5 Electrical connection

3.5.1 Connection to the grid (AC output)



- 1) Add breaker or fuse to AC side, the specification should be more than 1.25 times of rated AC output current.
- 2) The PE line of inverter should be connected to the earth, make sure the impedance of neutral wire and earth wire less than 10 ohm.
- 3) Disconnect the breaker or fuse between the inverter and the utility.
- 4) All inverters incorporate a certified internal Residual Current Device (RCD) in order to protect against possible electrocution and fire hazard in case of a malfunction in the PV array, cables or inverter. There are 2 trip thresholds for the RCD as required for certification (IEC 62109-2:2011). The default value for electrocution protection is 30mA, and for slow rising current is 300mA.

Connect the inverter to the grid as follows:

- 1) Strip off N/L1/L2/L3 cables as figure 3-8:

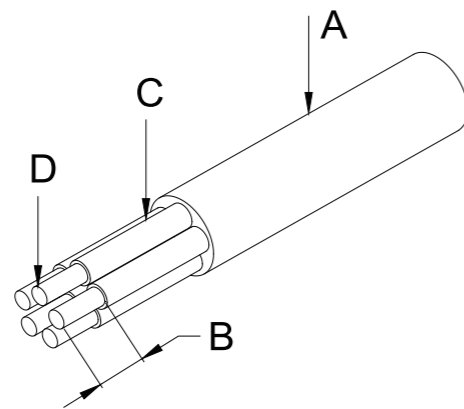


Figure 3-8 Strip off N/L1/L2/L3 cables

No.	Description	Remark
A	Protective layer	Diameter ranges : 15-25mm
B	Length of stripped off	12mm
C	Insulate layer	50mm
D	Cross section of ac cables	5.26mm ² Cu cable

- 2) Crimp N/L1/L2/L3 cables as figure 3-9:

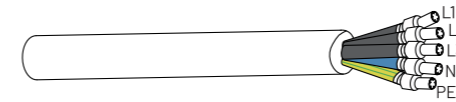


Figure 3-9

- 4) The cables are inserted into the terminal according to the wire sequence(L1/L2/L3/N/PE), so that the insulating terminal is flush with the surface of the terminal, and the crimping screw torque is $4.0 \pm 0.1\text{N}\cdot\text{m}$.

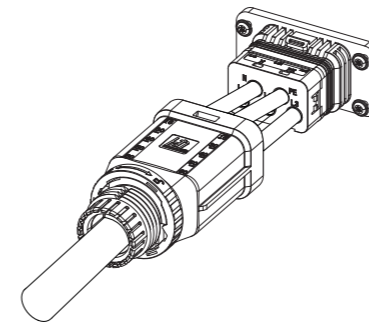


Figure 3-11

- 6) Use a wrench to tighten the nut, and there is a "click" sound.

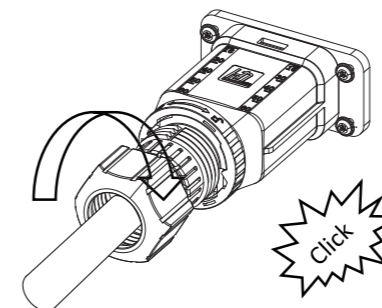


Figure 3-13

- 3) Pass the crimped AC wire into the AC connector.

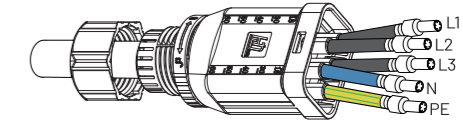


Figure 3-10

- 5) Insert the main part of AC connector into the terminal and hear a "click" sound.

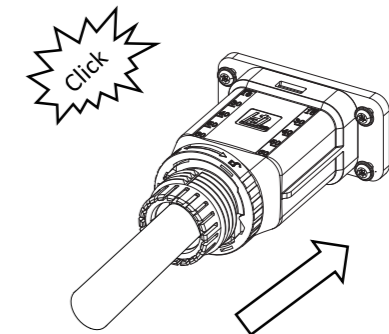


Figure 3-12

- 7) Complete the installation.

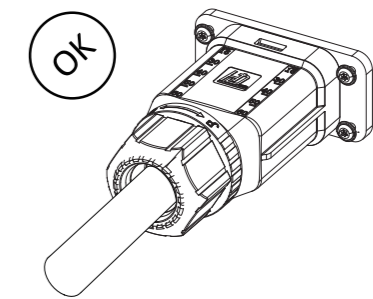


Figure 3-14

Disassembly the inverter from the Grid:

1) Hold the unlocking buckle with one hand and rotate it in the direction of the mark, and turn the nut in the opposite direction.

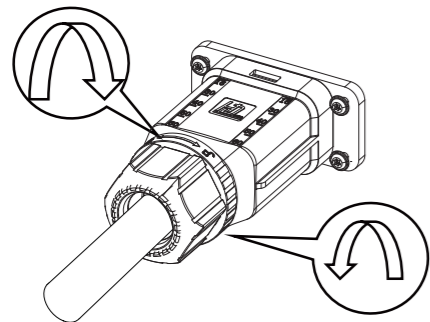


Figure 3-15

2) Use a screwdriver to press against the unlocked position and hold the wire nut and pull it back to complete the separation of the male and female ends.

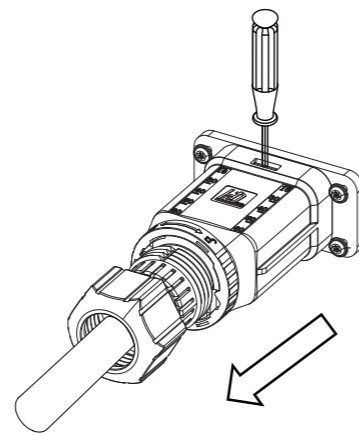


Figure 3-16

3.5.2 Connection to PV string (DC input)



- 1) Before connecting PV string, make sure DC switch is turned off.
- 2) Make sure PV string polarity confirms with DC connector, otherwise, it will cause damage to inverter.
- 3) Make sure the maximum open circuit voltage (Voc) of each PV string does not exceed the inverter input voltage Vmax under any condition.
- 4) Do not connect positive or negative pole of PV string to earth wire. Otherwise, it will cause damage to inverter.

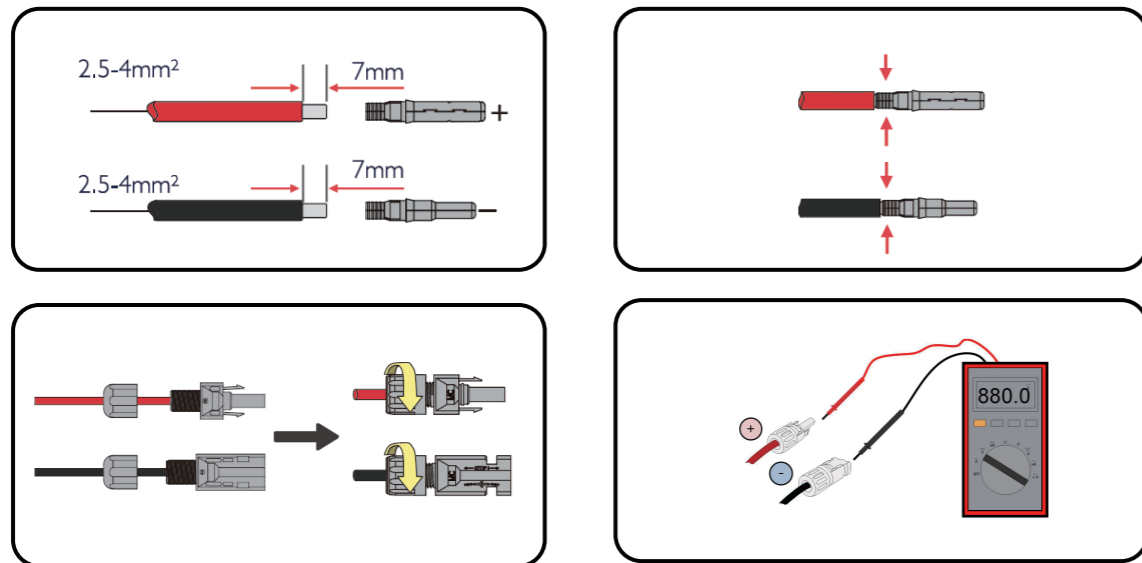


Figure 3-17 PV connection

3.5.3 Communication connection

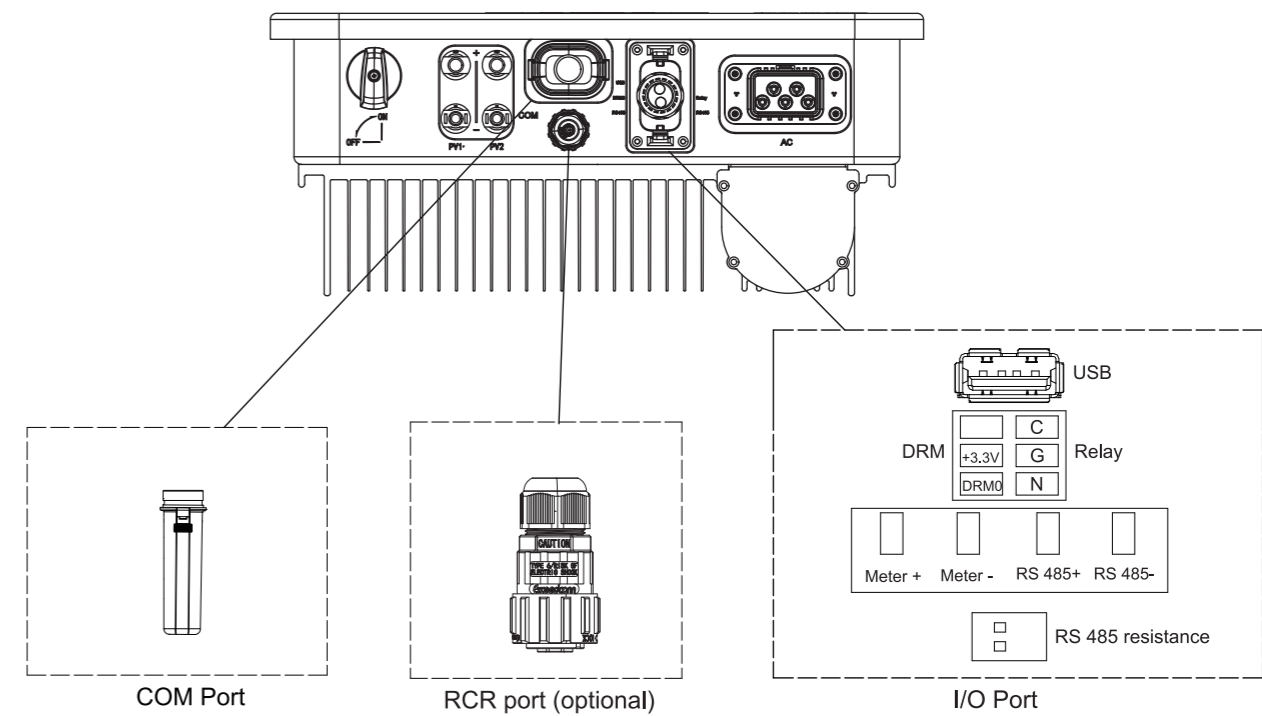


Figure 3-18 Communication connection

3.5.3.1 RCR Port

In Germany, the grid company uses the Ripple Control Receiver (RCR) to convert the grid dispatching signal and send it as a dry contact signal. The wiring of the ripple control receiver dry contact cables is shown in the figure below.

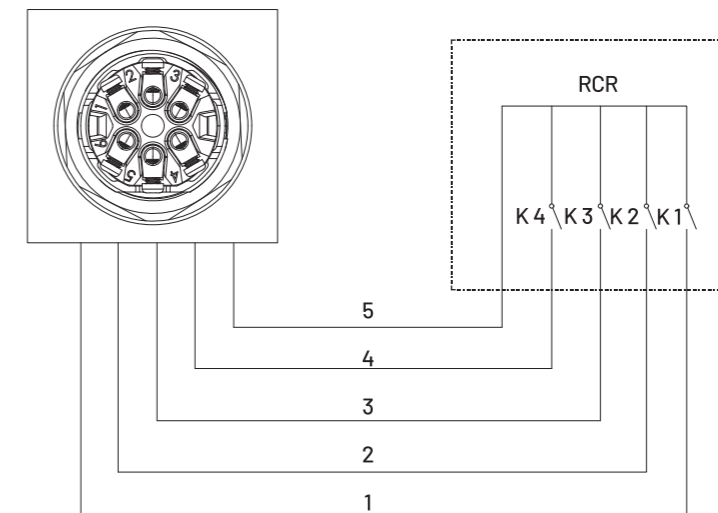


Figure 3-19

K1	K2	K3	K4	Switch Operation on External RCR	Output power (in % of the Rated AC output power)
1	0	0	0	Close K1	100 %
0	1	0	0	Close K2	60 %
0	0	1	0	Close K3	30 %
0	0	0	1	Close K4	0 %

Connect to the RCR port:

- 1) Strip five cables, and the diameter of the stripped cables can not exceed 3mm.
- 2) Crimp the five cables as figure 3-20:



Figure 3-20

- 3) Pass the crimped wire into the RCR connector.

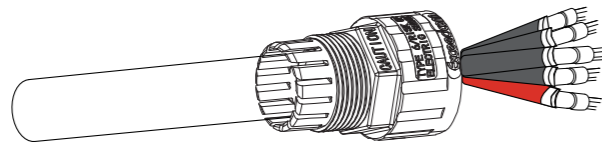


Figure 3-21

- 4) The cables are inserted into the terminal according to the wire sequence(K1/K2/K3/K4/+3.3V), so that the insulating terminal is flush with the surface of the terminal, and the crimping screw torque is $4.0 \pm 0.1\text{N}\cdot\text{m}$.

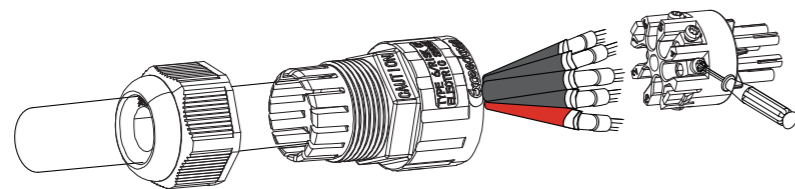


Figure 3-22

- 5) Insert the terminal block into the male head, and there is a "click" sound.

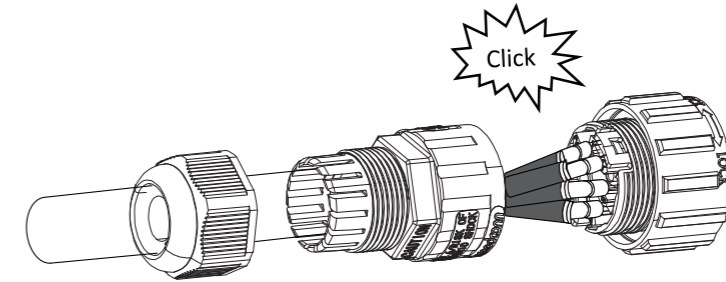


Figure 3-23

- 6) Use a wrench to tighten the nut.

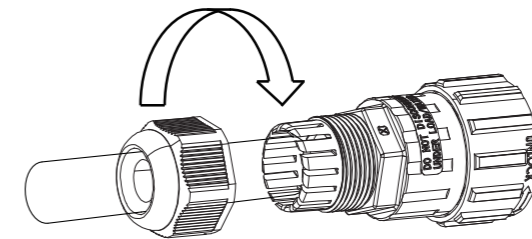


Figure 3-24

- 7) Screw the male head into the female and complete the installation.

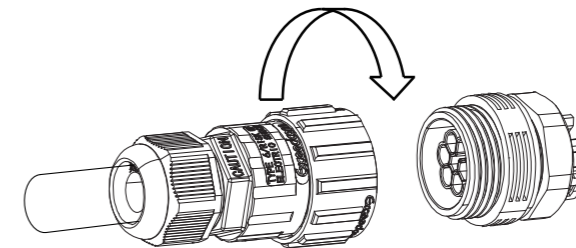


Figure 3-25

3.5.3.2 COM Port

Connect the WIFI/4G/Ethernet module to the COM port of the inverter. After the connection is successful, you can view the inverter power generation, operation status and other information through the mobile phone app. Please refer to the user manual of WIFI/4G/Ethernet module for details.

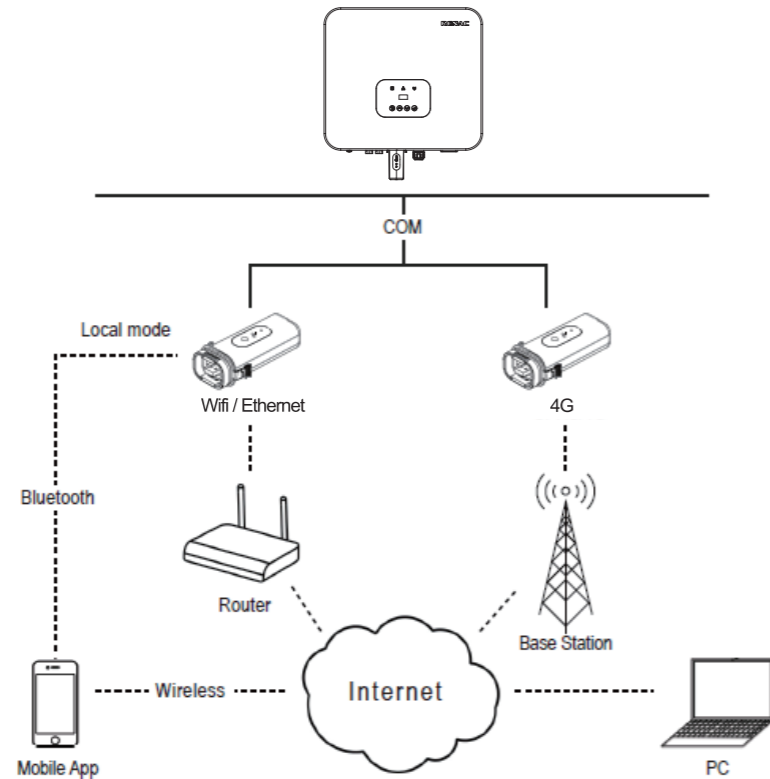


Figure 3-26

3.5.3.3 USB Port

Insert a USB flash disk for local software upgrade. Please contact after-sales personnel for details.

3.5.3.4 Meter connection

Renac R3 4-12kW series inverter has the function of anti reverse current, which can control the power exported to the grid by connecting an intelligent electricity meter.

Note: The arrow on the CT must point to the load.

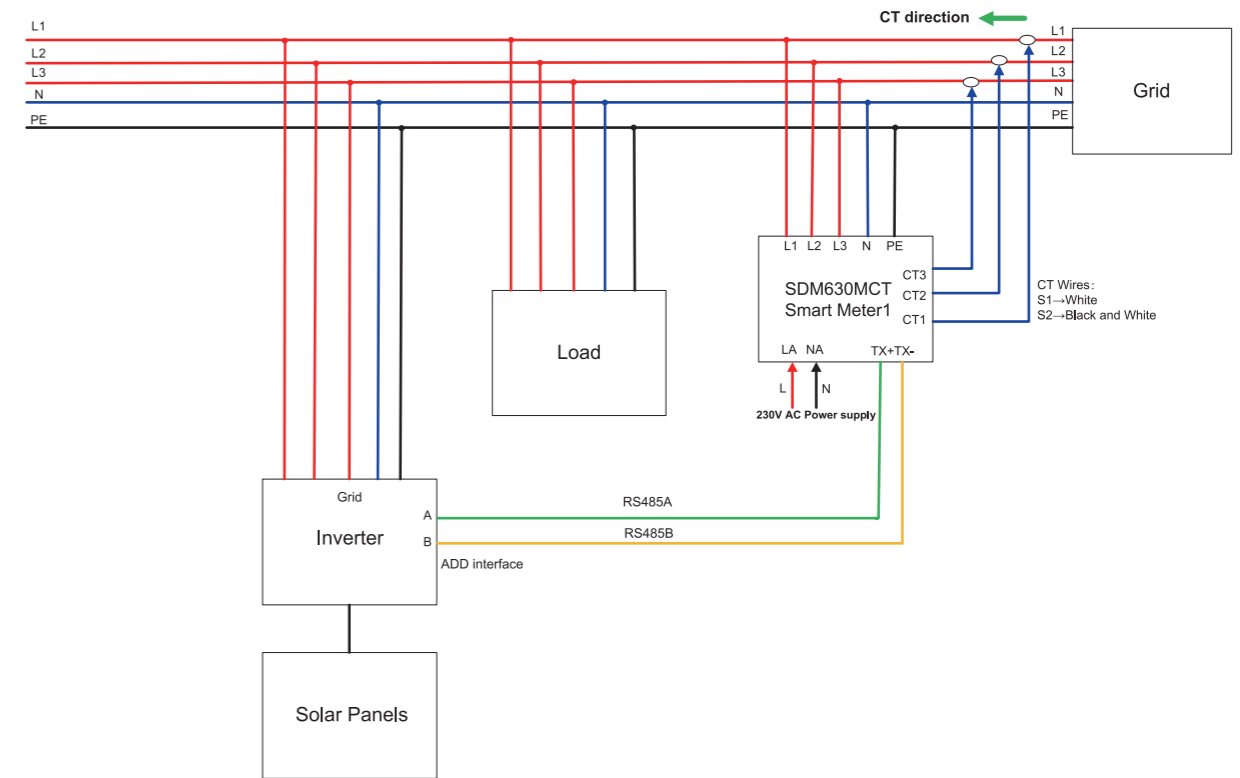


Figure 3-27

3.5.3.5 RS485 connection

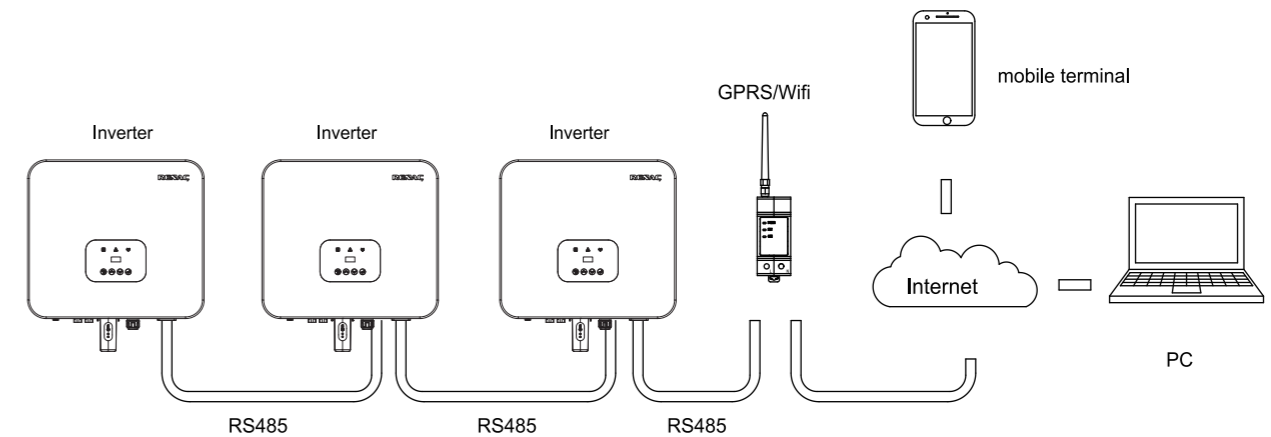


Figure 3-28

Please refer to the module user manual in detail.

3.6 Starting the inverter

Before turn on the inverter, please confirm:

- 1) Three phases of five wires (PE/L1/L2/L3/N) cable correctly connected to the inverter AC side through the AC circuit breaker;

- 2) The DC cable is connected correctly to the inverter DC side through the DC circuit breaker. Please be attention to the cable connected to the string correctly and its polarity;
- 3) The unused terminals are covered.

Starting the inverter:

- 1) Close the DC and AC circuit breakers;
- 2) If the solar panels provide enough energy, the power module will work, and the LCD panel will be lit;
- 3) In case you are starting the inverter for the first time, the inverter needs to be commissioned. Commissioning is described in Chapter 4.3 on page 25;
- 4) Then the inverter will turn into self-check mode and the LCD panel will display the remaining time of connect simultaneously;
- 5) After the inverter turns into normal mode, it feeds electrical energy into the grid, and the LCD panel will display the generated electrical energy.

As long as the inverter works, it will automatically track the maximum power point to absorb the maximum energy from solar. When night comes, the irradiance is not strong enough to provide energy, and the inverter will power off automatically. When the next day comes, the input voltage reaches the start value, and it will start again automatically.

4. User interface

4.1 Led and key

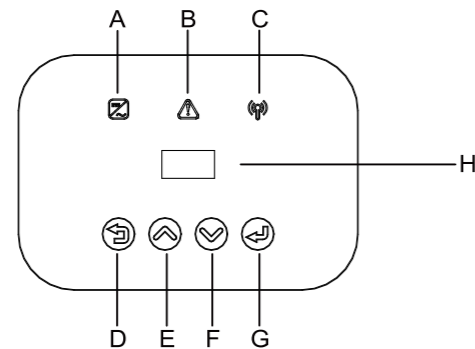
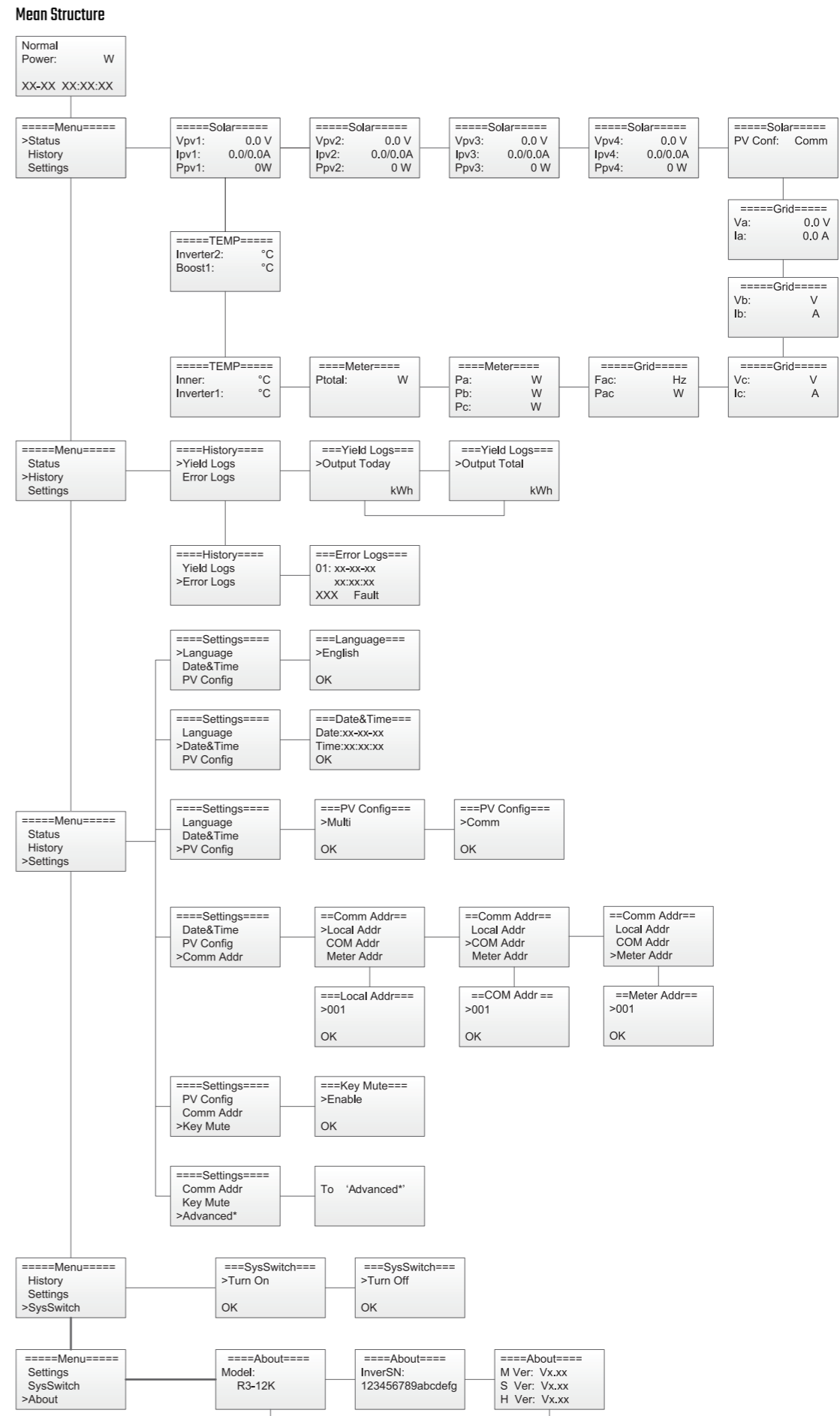


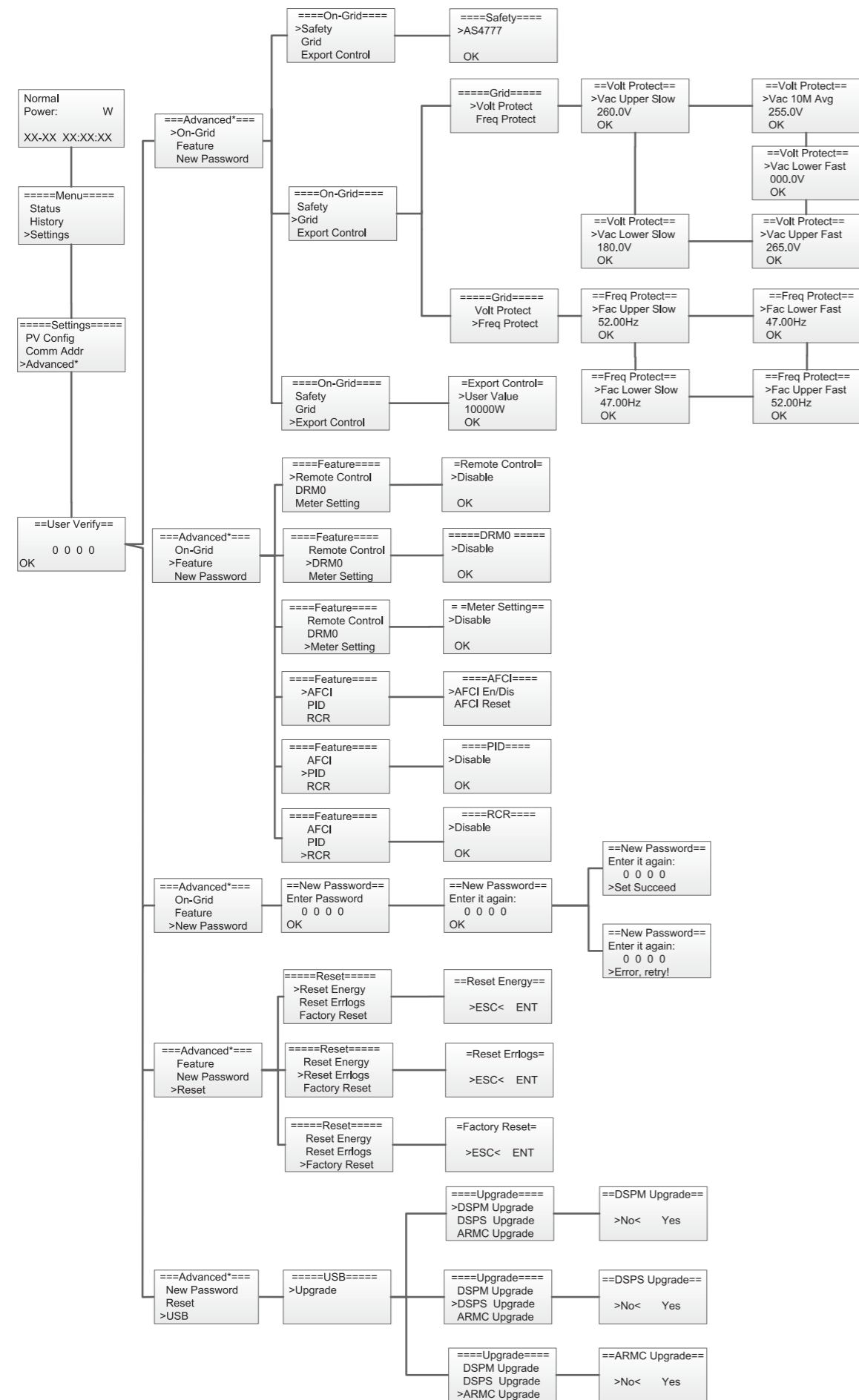
Figure 4-1 LED display

Object	Name	Description
A	Indicator LED	Green: Normal working Status.
B		Red: Fault.
C		Yellow: RS485 communication status.
D	Function Button	ESC button: Leave from current interface or function.
E		Up button: Move cursor to upside or increase value.
F		Down button: Move cursor to downside or decrease value.
G	OK button: Confirm the selection.	
H	LCD Screen	Display the information of the inverter.

4.2 LCD operation



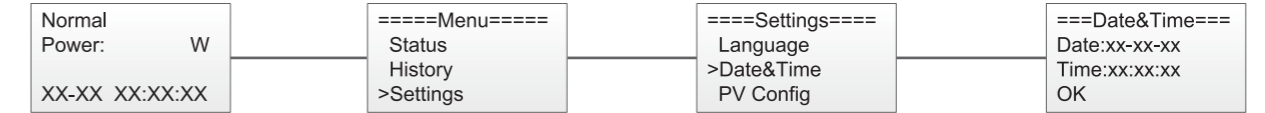
Menu Structure



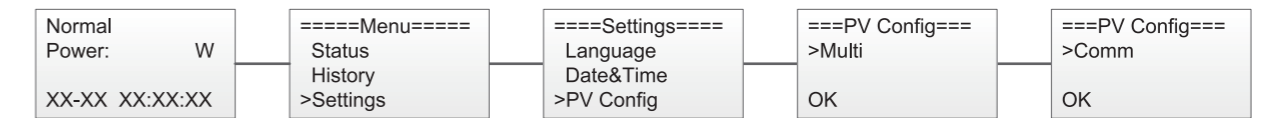
4.2.1 Setting language



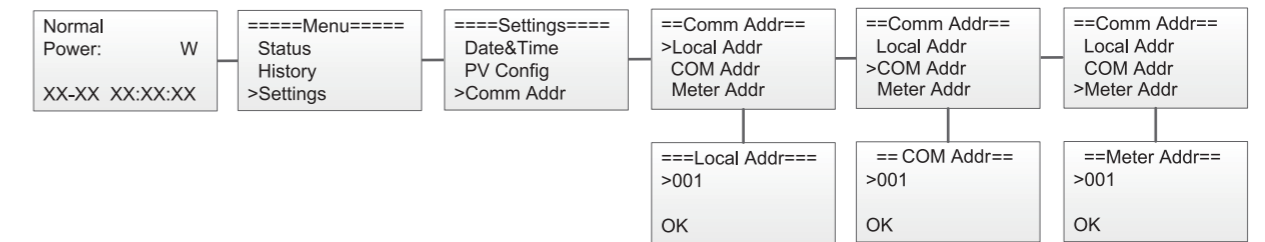
4.2.2 Setting date&time



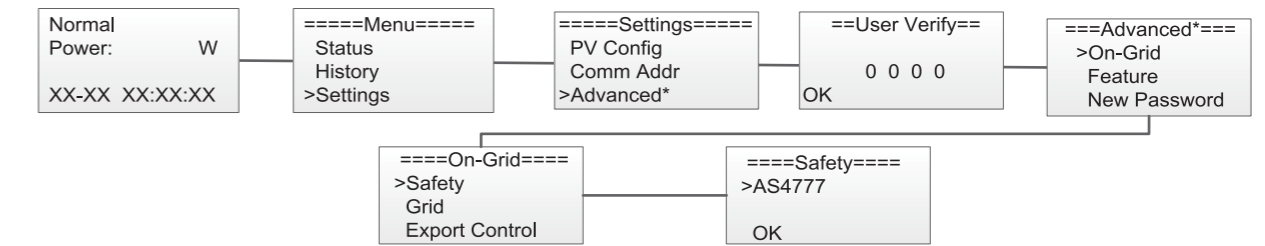
4.2.3 Setting PV configuration



4.2.4 Setting communication address

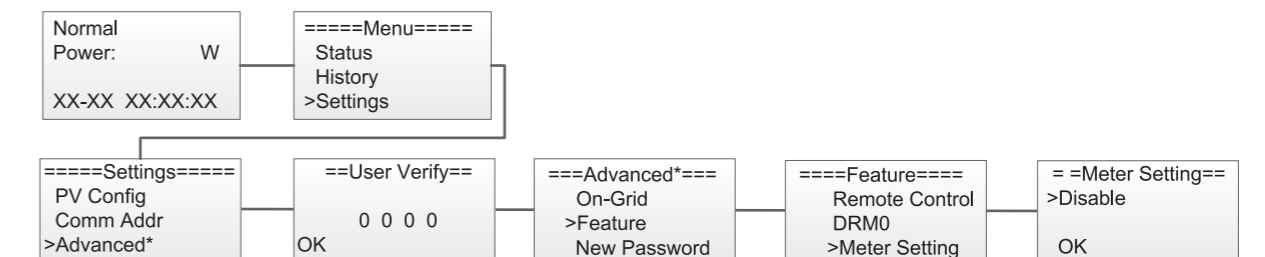


4.2.5 Setting safety

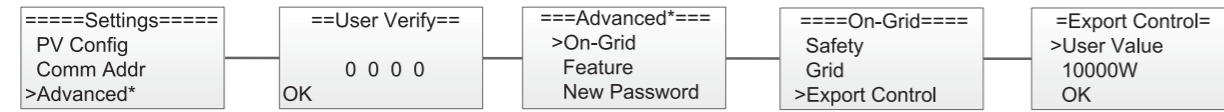


4.2.6 Setting export control

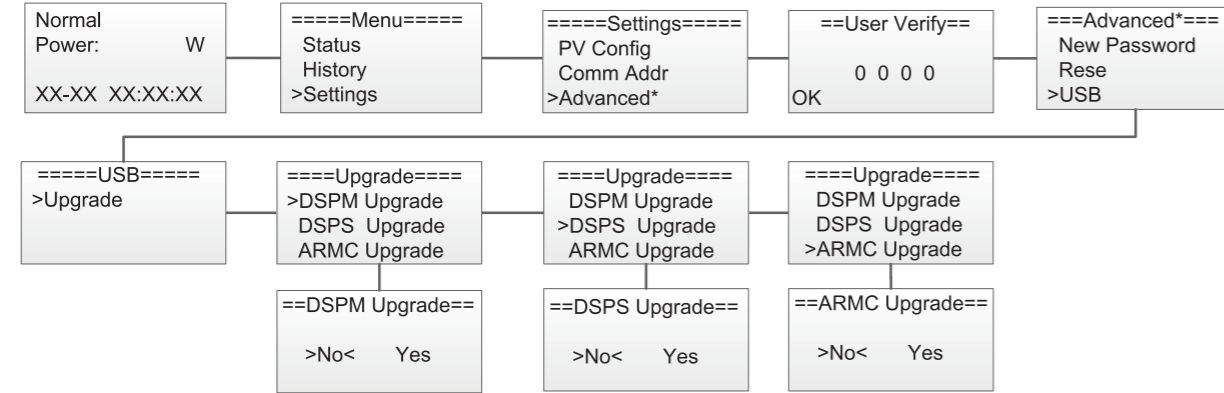
Step1: Enable the meter setting first.



Step 2: Setting the power exported to the grid.

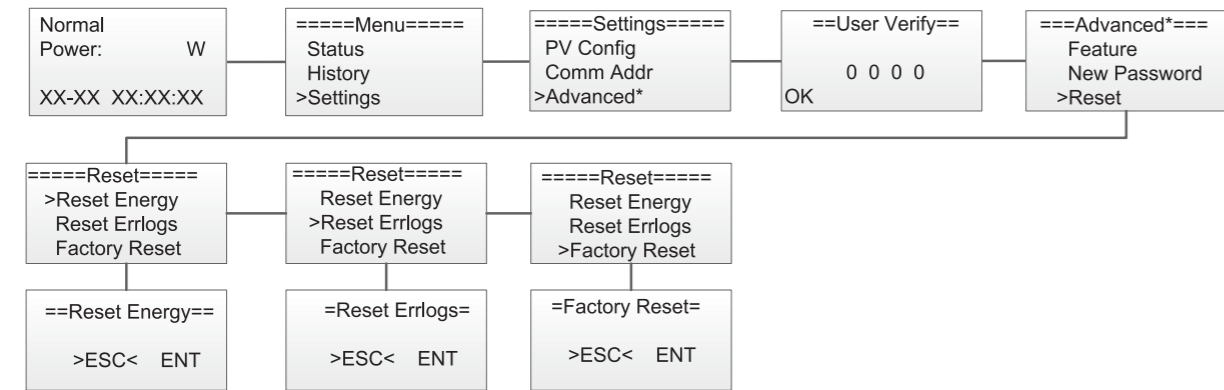


4.2.7 Upgrading the inverter

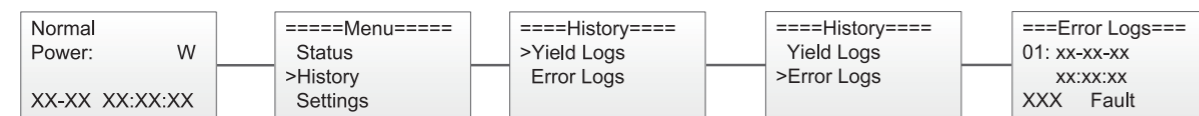


- Step 1: Please contact Renac technicians to obtain the upgrade program.
- Step 2: Insert the USB disk into the computer and copy the upgrade program to the USB disk.
- Step 3: Insert the USB disk into the USB port of the inverter.
- Step 4: Refer to the above figure to upgrade DSPM, DSPS and ARMC respectively.
- Step 5: After the upgrade, the inverter will start to work automatically.

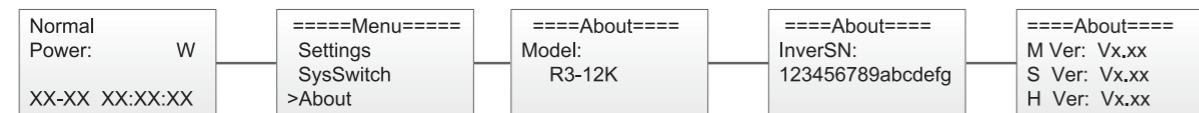
4.2.8 Factory reset



4.2.9 Error logs



4.2.10 About logs



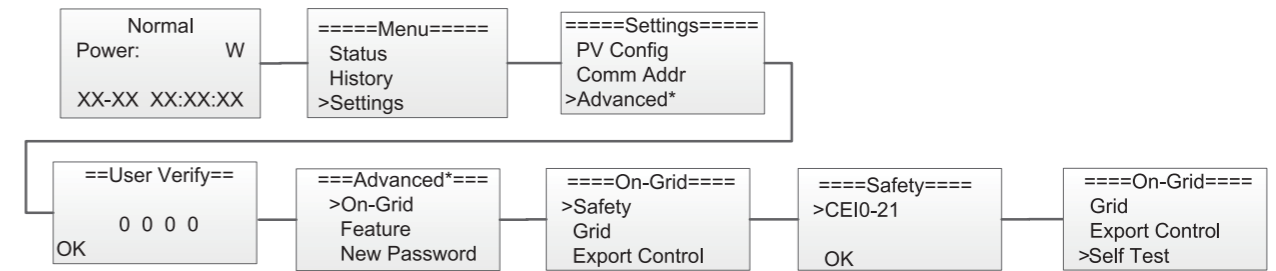
4.3 Self-Test in accordance with CEI 0-21 (Applies to Italy only)

The self-test is only required for inverters, which are commissioned in Italy. The Italian standard requires that all inverters feeding into the utility grid are equipped with a self-test function in accordance with CEI 0-21. Please note that there is a self-test option only when the inverter selects CEI 0-21. During the self-test, the inverter will consecutively check the protection reaction times and values for overvoltage, under voltage, over frequency and under frequency.

Self-test function is available at any time. It also allows end user get test reports shown on LCD display.

There are two ways to execute the self-test (You need to set the inverter country to CEI 0-21 before testing).

Auto-Test from screen:



Auto-Test from Solar Admin:

- 1) Download and install "Solar Admin" on laptop.
- 2) Connect inverter to laptop via RS485 port.
- 3) When the inverter and "solar admin" are successfully connected. Click "Sys.setting" - "Other" - "AUTOTEST" enter into "Auto-Test" interface.
- 4) Click "Execute" to start the test.
- 5) The inverter will automatically run the test until the screen shows "Test end".
- 6) Click "Read" to read the test value, and click "Export" to export the test report.
- 7) After click "Read" button, interface will show the test results, if the test passes, it will show "PASS", if the test is failed, it will show "FAIL".

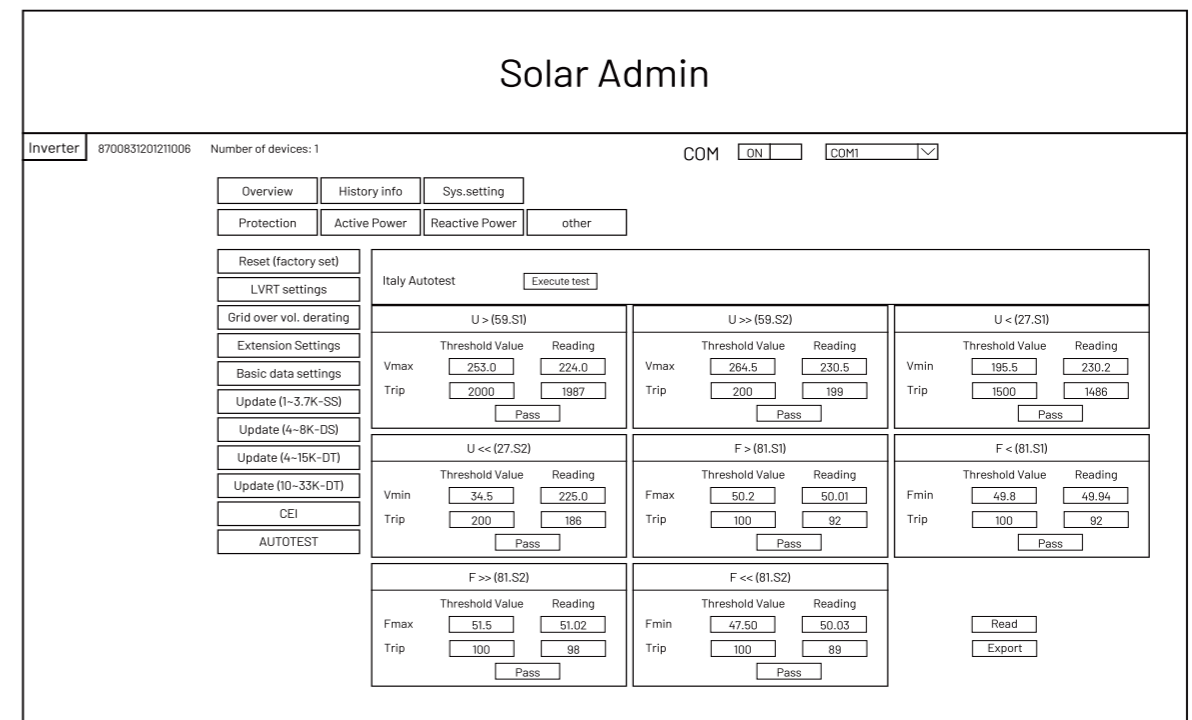


Figure 4-2 Management interface

5. Warranty

The standard warranty period for the inverter is 60 months from the date of installation and no more than 66 months (5.5 years) from the date of shipment from factory.

5.1 Warranty claim procedure

Please report defective device with a brief error description and SN code to our service mail or service hotline for registration.

Alternatively, please contact your specific dealer or installer if your unit is defective or faulty.

To claim the warranty under the warranty terms of factory, you need to supply us with the following information and documentation regarding the faulty unit:

- 1) Product Model (e.g.R3-12K) and the Serial Number(e.g.8700831201211006).
- 2) Copy of the invoice and warranty certificate for the inverter.
- 3) Error message on LCD screen and additional information regarding the fault/error.
- 4) Detailed information about the entire system (modules, circuits, etc.).
- 5) Documentation of previous claim/exchanges (if applicable).

In the case of an exchange, the remainder of the warranty entitlement will be transferred to the replacement device. In this event, you will not receive a new certificate, as this replacement will be noted by factory.

5.2 Service after warranty expiration

For products which are out of warranty, factory charges an on-site service fee, parts, labor cost and logistic fee to end-user which can be any/all of:

- 1) On-site attendance fee: Cost of travel and time for the technician in attending on-site;
- 2) Parts: Cost of replacement parts (including any shipping/admin fee that may apply);
- 3) Labor: Labor time fee charged for the technician, who is repairing, maintaining, and installing (hardware or software) and debugging the faulty product;
- 4) Logistic fee: Cost of delivery, tariff and other derived expense when defective products are sent from user to factory or / and repaired products are sent from factory to user;

Appendix A: FAQ (Frequently asked questions)

Sometimes, the PV system does not work normally; we recommend the following solutions for average troubleshooting. This can help the technician to understand the problem and take a proper action.

Fault ID	LCD display	Possible actions
1	Grid Lost Fault	Grid voltage out of range. • System will reconnect if the utility is back to normal. • Or seek help from us, if not go back to normal state.
2	Grid Volt Fault	Grid voltage out of range. • System will reconnect if the utility is back to normal. • Or seek help from us, if not go back to normal state.
3	Grid Freq Fault	Grid frequency out of range. • System will reconnect if the utility is back to normal. • Or seek help from us, if not go back to normal state.
4	Pv Volt Fault	PV voltage out of range. • Please check the output voltage of PV panels. • Or seek for help from us.
5	Bus Volt Fault	Bus voltage out of range detected by hardware. • Disconnect PV, grid and battery, then reconnect. • Or seek help from us, if not go back to normal state.
6	Vgrid 10M Fault	The grid voltage is out of range for the last 10 Minutes. • System will reconnect if the utility is back to normal. • Or seek help from us, if not go back to normal state.
7	DCI OCP Fault	DC component is out of limit in output current. • Disconnect PV, grid and battery, then reconnect. • Or seek help from us, if not go back to normal state.
8	Ground Fault	The inverter is not connected to the ground. • Please check if the ground connection is normal,then reconnect. • Or seek help from us,if not go back to normal state.
9	SW OCP Fault	Output current high detected by software. • Disconnect PV, grid and battery, then reconnect. • Or seek help from us, if not go back to normal state.
10	GFCI Fault	The residual current is high. • Please check if the insulation of electric wires is damaged. • Wait for a while to check if back to normal. • Or seek for help from us.
11	Iso Check Fault	The isolation is failed. • Please check if the insulation of electric wires is damaged. • Wait for a while to check if back to normal. • Or seek for help from us.
12	Temp Fault	The inverter temperature is high. • Please check if the environment temperature. • Wait for a while to check if back to normal. • Or seek for help from us.
13	Meter Lost Fault	The communication between meter and Inverter is interrupted. • Check if the communication cable between meter and Inverter is correctly and wellconnected.
14	Fan Fault	Fan Device Fault • Disconnect solar power PV+ , PV- and battery, reconnect them. • Check if the fan is stopped by dust or other foreign. • Or seek help from us, if cannot go back to normal state.
15	PLL Error	The errors are internal faults of Renac inverters •Turn off PV and grid,wait for 5 mins,then reconnect. •Or seek help from us, if not go back to normal state.
16	Island Error	
17	Anti-PID	
18	SCI Fault	

Fault ID	LCD display	Possible actions
19	Grid Flashover	The errors are internal faults of Renac inverte •Turn off PV and grid,wait for 5 mins,then reconnect. •Or seek help from us, if not go back to normal state.
20	Inv EEPROM Fault	
21	AD Sample Fault	
22	Arc Device Fault	The errors are internal faults of Renac inverte •Turn off PV and grid,wait for 5 mins,then reconnect. •Or seek help from us, if not go back to normal state.
23	GFCI HW Fault	
24	Relay S1 Short	
25	Relay S2 Short	The errors are internal faults of Renac inverte •Turn off PV and grid,wait for 5 mins,then reconnect. •Or seek help from us, if not go back to normal state.
26	Relay M1 Short	
27	Relay M2 Short	
28	OtherDeviceFault	The errors are internal faults of Renac inverte •Turn off PV and grid,wait for 5 mins,then reconnect. •Or seek help from us, if not go back to normal state.
29	Relay Open	
30	AuxVolt Error	
31	V Consist Fault	The errors are internal faults of Renac inverte •Turn off PV and grid,wait for 5 mins,then reconnect. •Or seek help from us, if not go back to normal state.
32	F Consist Fault	
33	I Consist Fault	
34	RC Consist Fault	The errors are internal faults of Renac inverte •Turn off PV and grid,wait for 5 mins,then reconnect. •Or seek help from us, if not go back to normal state.
35	SCI Fault	
36	HMI EEPROM Fault	

6. Maintenance

	<p>Risk of inverter damage or personal injury due to incorrect service!</p> <ul style="list-style-type: none"> • Always keep in mind that the inverter is powered by dual sources: PV strings and utility grid. Before any service work, observe the following procedure. • Disconnect the AC circuit breaker and then set the DC load-break switch of the inverter to OFF. • Wait at least 5 minutes for inner capacitors to discharge completely. • Verify that there is no voltage or current before pulling any connector.
	<p>NOTICE</p> <p>Restart the inverter only after removing the fault that impairs safety performance. As the inverter contains no component parts that can be maintained, never arbitrarily replace any internal components. For any maintenance need, please contact Renac Power. Otherwise, Renac Power shall not be held liable for any damage caused.</p>

6.1 Routine Maintenance

Item	LCD display	Period
System clean	Check the temperature and dust of the inverter. Clean the inverter enclosure if necessary. Check if the air inlet and outlet are normal. Clean the air inlet and outlet, if necessary.	Six months to a year (- depend on the dust contents in air.)
Cable entry	Check whether the cable entry is insufficiently sealed or the gap is excessively large, and reseal the entry when necessary.	Once a year
Electrical Connection	Check whether all cable are firmly in place. Check whether a cable is damaged, especially the part contacting the metal enclosure.	Six months to a year

Maintenance Instruction

Cleaning Air Inlet and Outlet

A huge amount of heat is generated in the process of running the inverter. The inverter adopts a controlled forced-air cooling method. In order to maintain good ventilation, please check to make sure the air inlet and outlet are not blocked. Clean the air inlet and outlet with soft brush or vacuum cleaner if necessary.



User Manual Download Center



www.renacpower.com

